

90109-06303 (8)

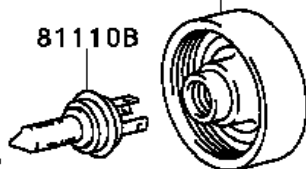


81110 (RH)
81150 (LH)

81135 (RH)
81175 (LH)

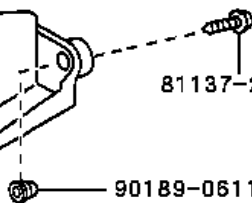
81110B

81144C



81137-22530

90189-06111



90109-06303 (8)

81110(RH)

81150(LH)

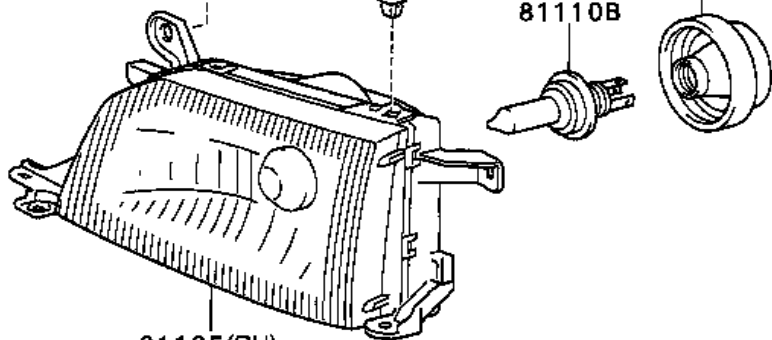
90075-10004

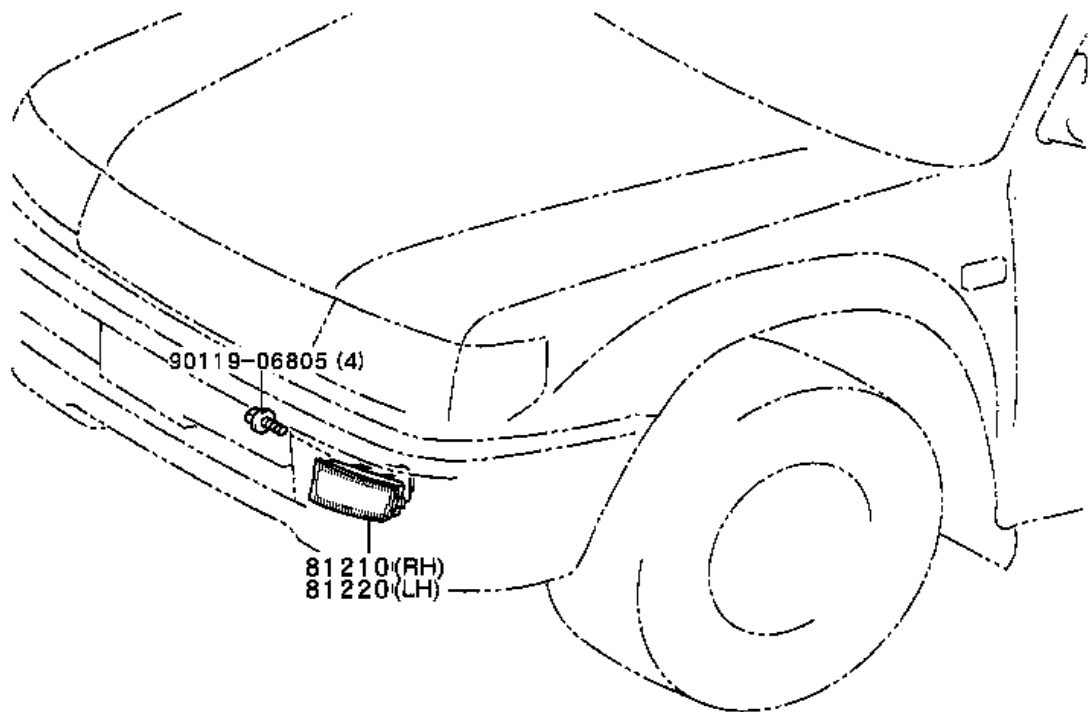
81110B

81144C

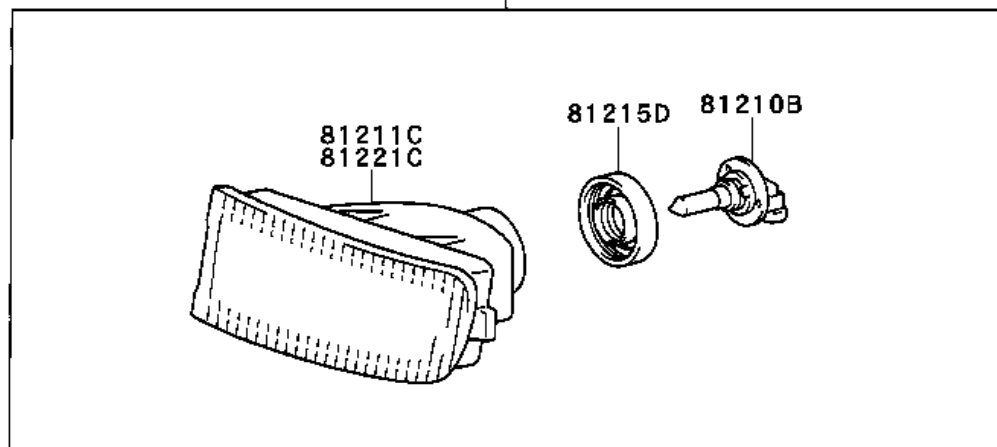
81135(RH)

81175(LH)





81210 (RH)
81220 (LH)

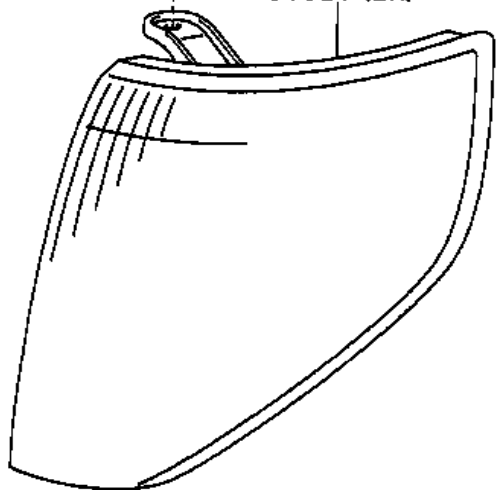


90168-40122



81510 (RH)
81520 (LH)

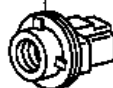
81511 (RH)
81521 (LH)



81510B
(NO. 1)



81515A
(NO. 1)

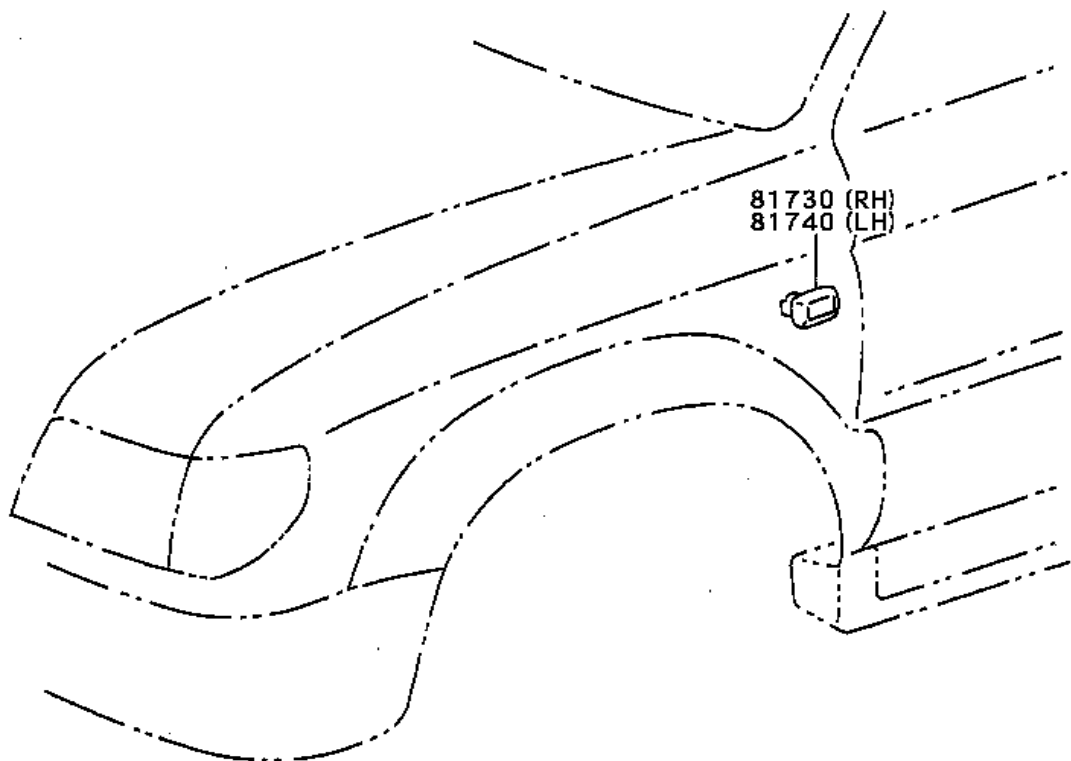


81510B
(NO. 2)

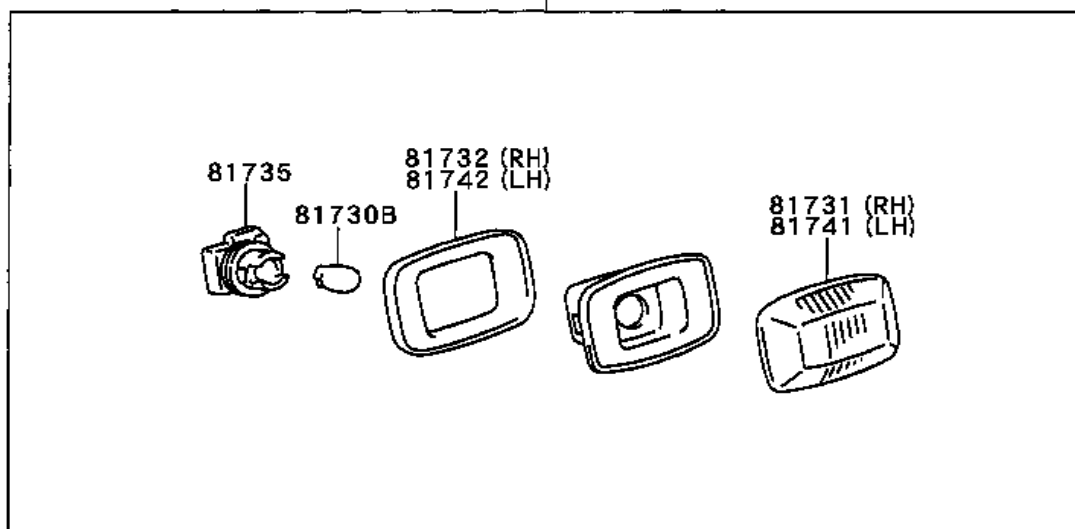


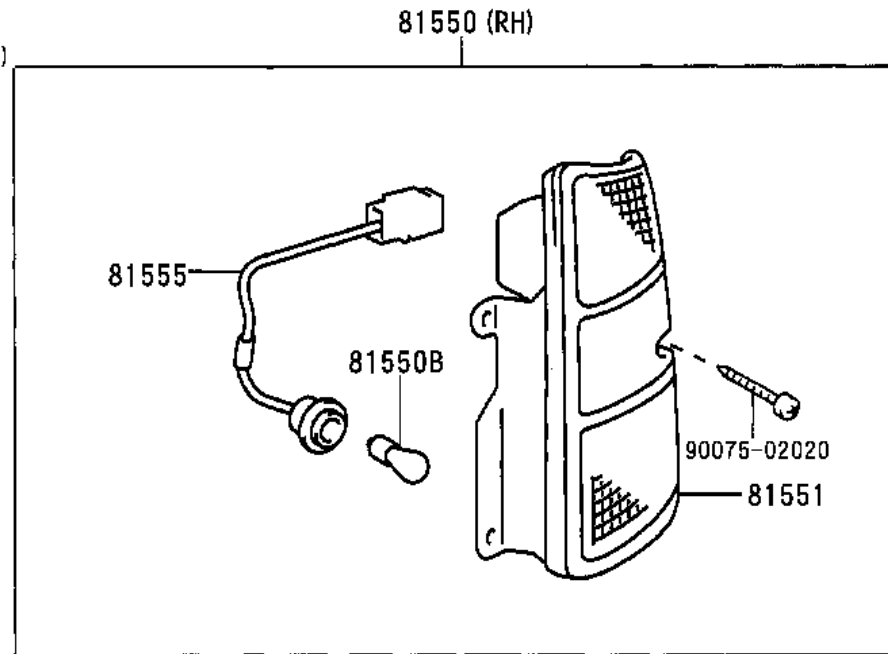
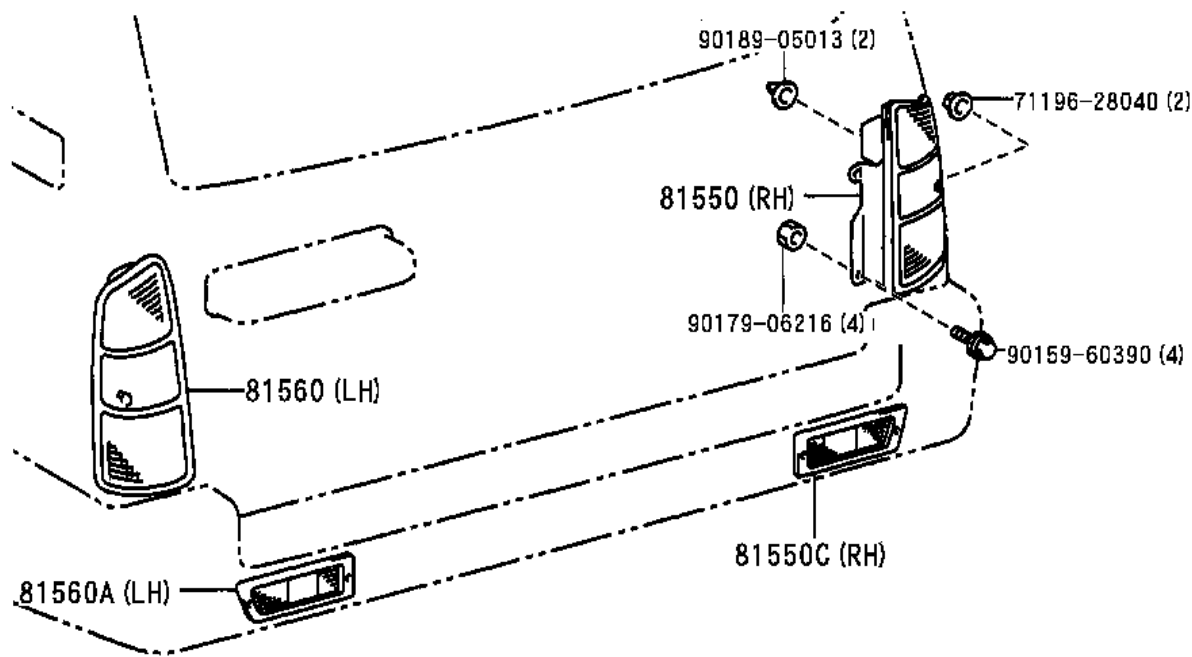
81515A
(NO. 2)



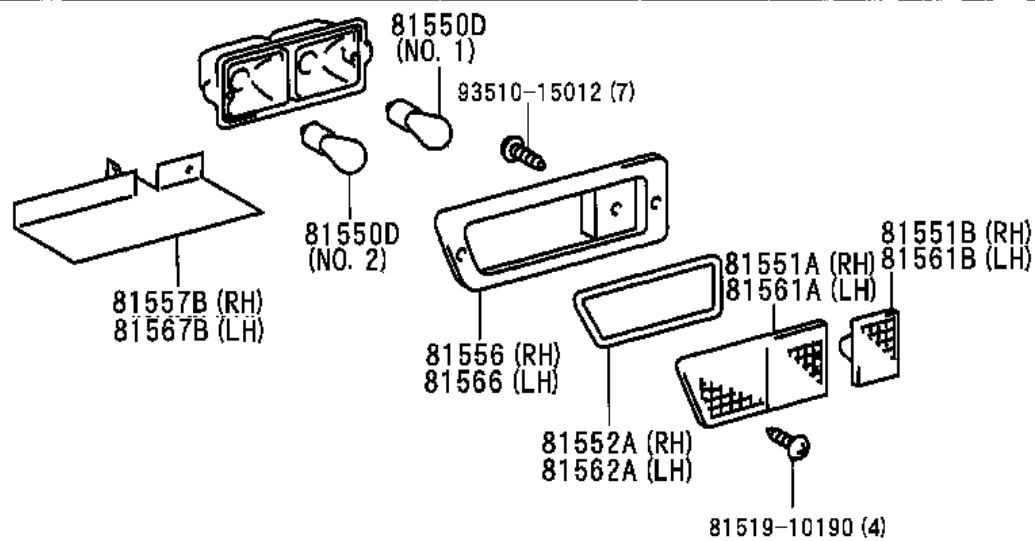


81730 (RH)
81740 (LH)

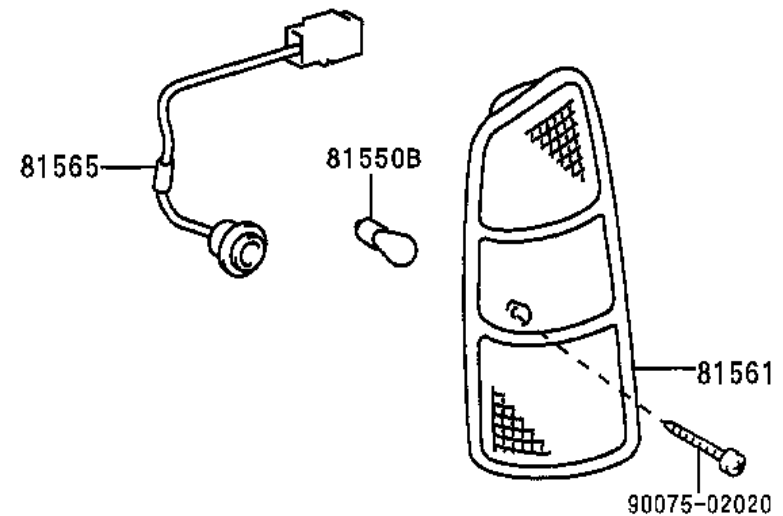


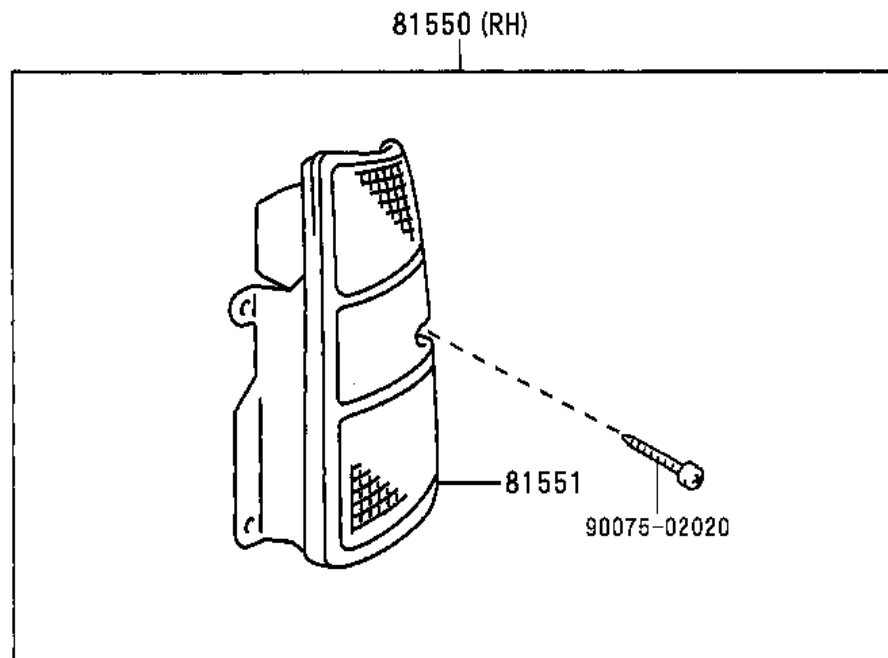
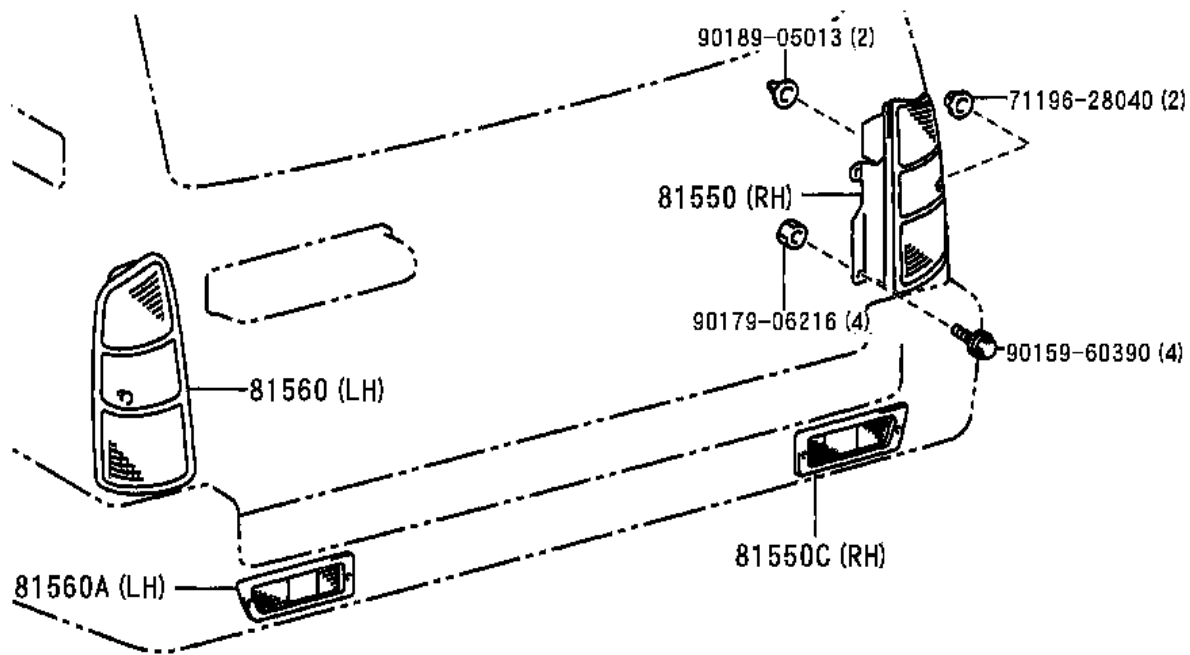


81550C (RH)
81560A (LH)

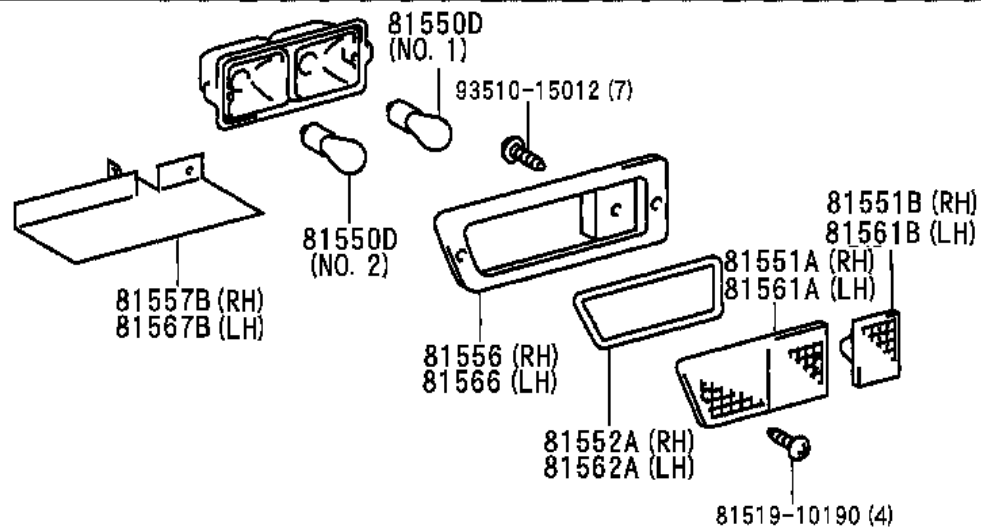


81560 (LH)

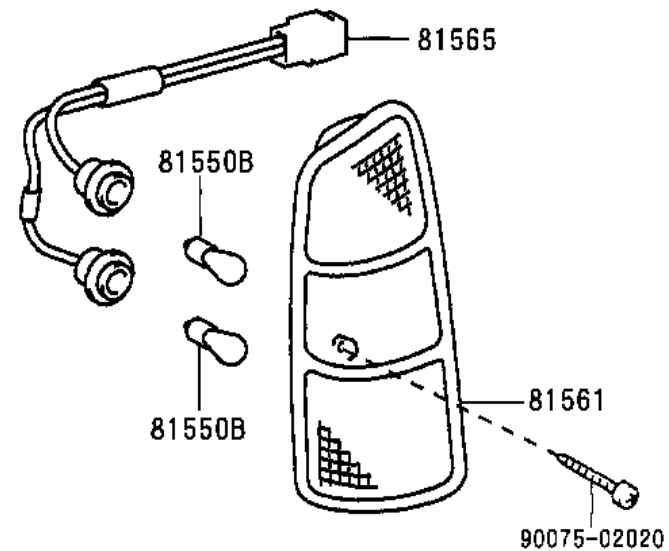


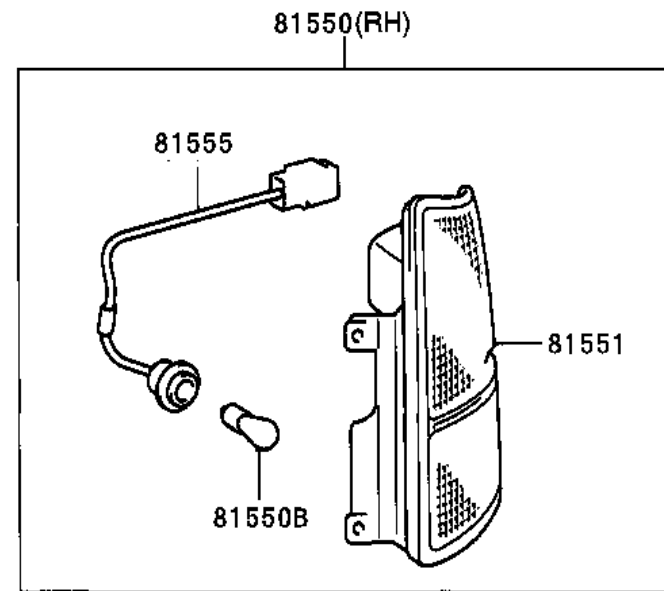
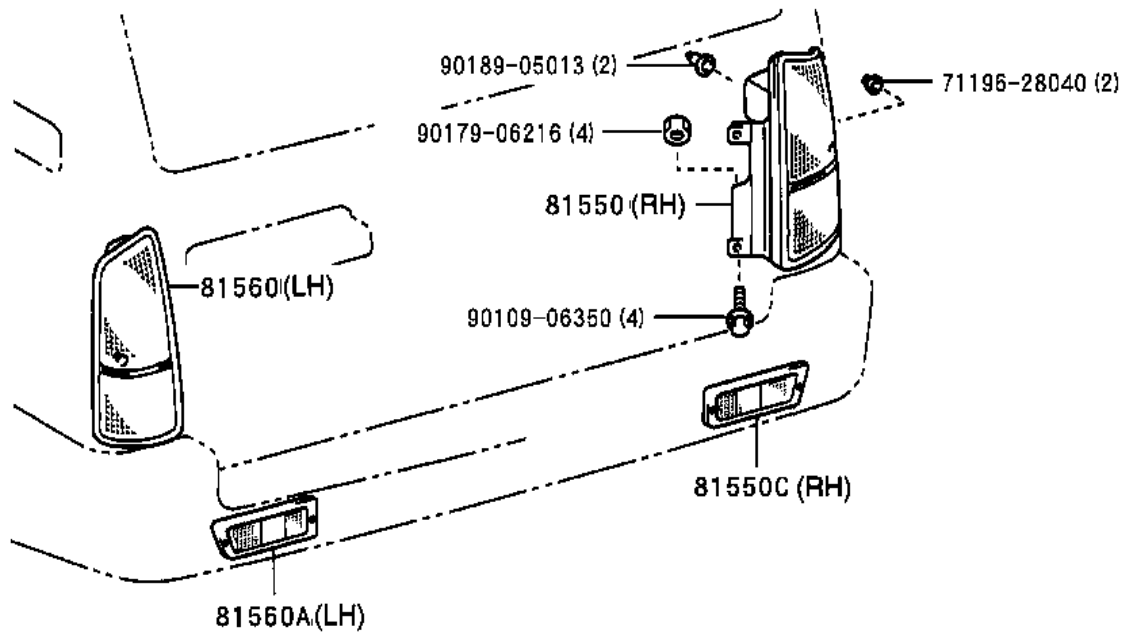


81550C (RH)
81560A (LH)

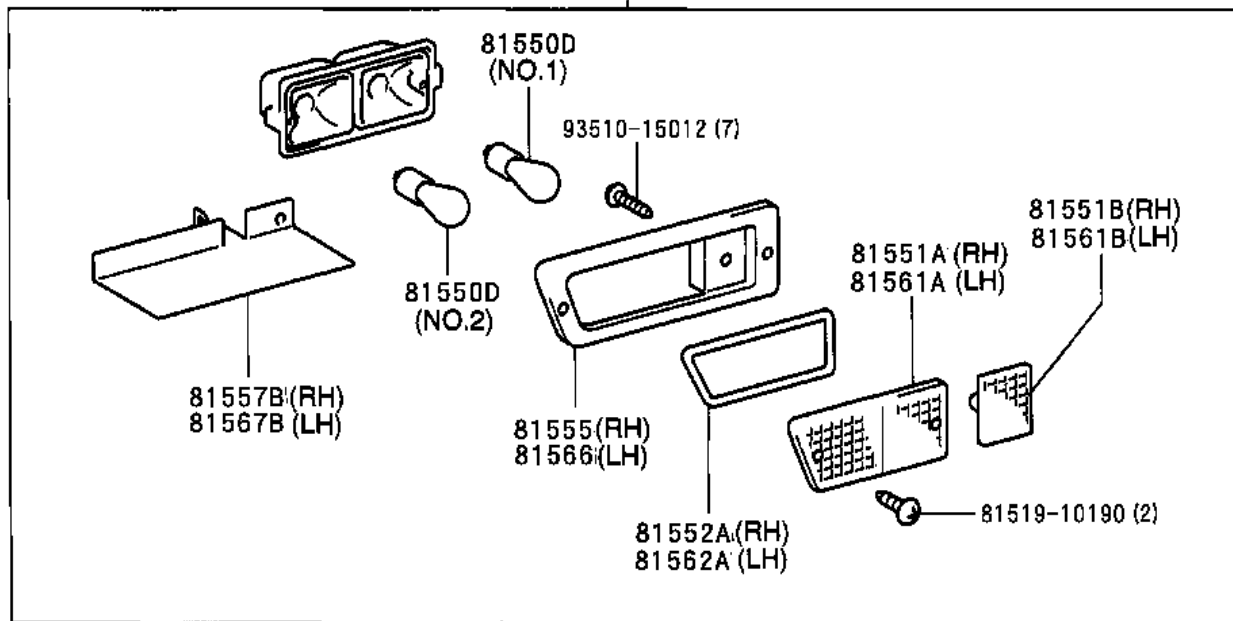


81560 (LH)

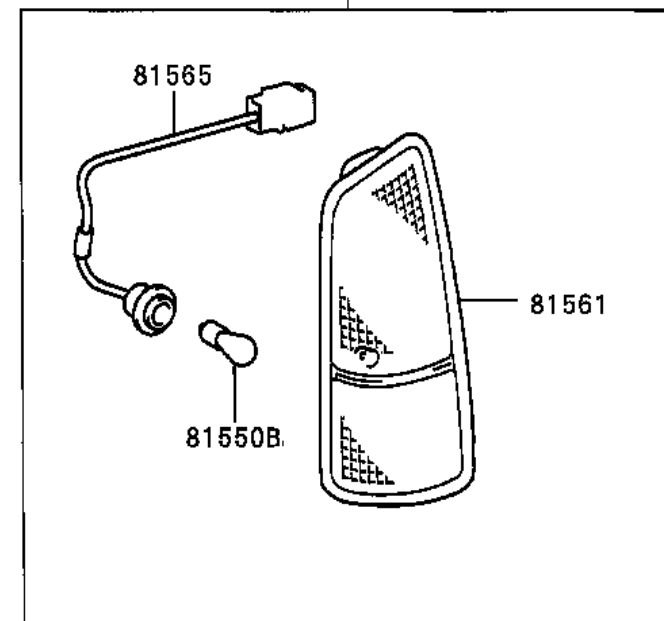


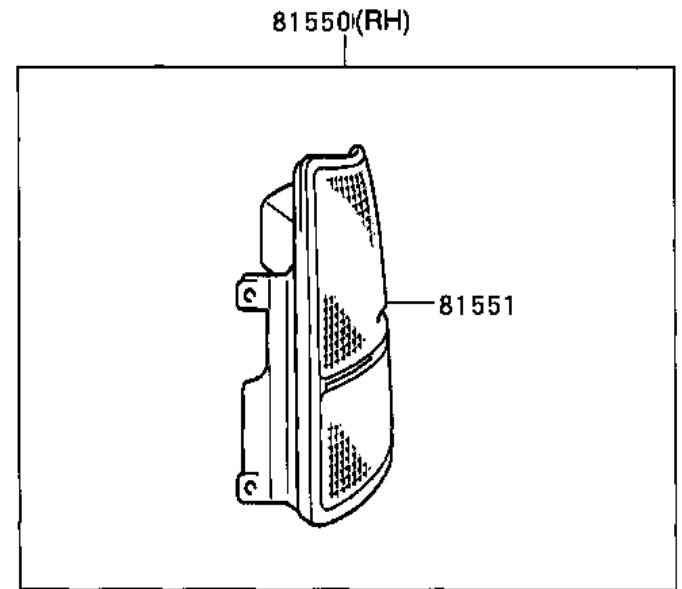
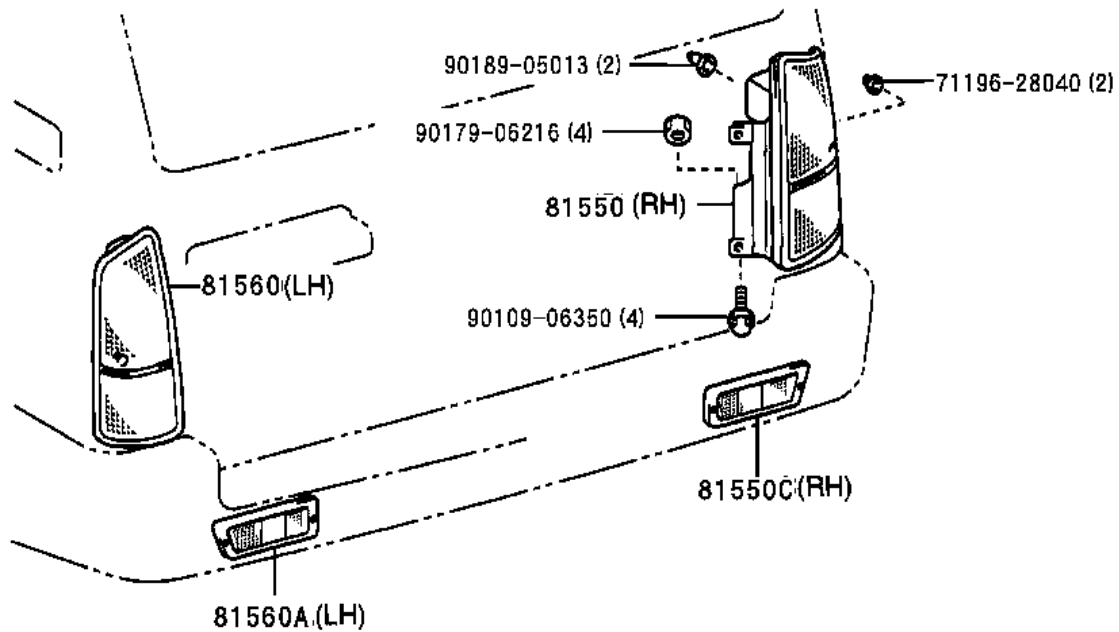


81550C (RH)
81560A (LH)

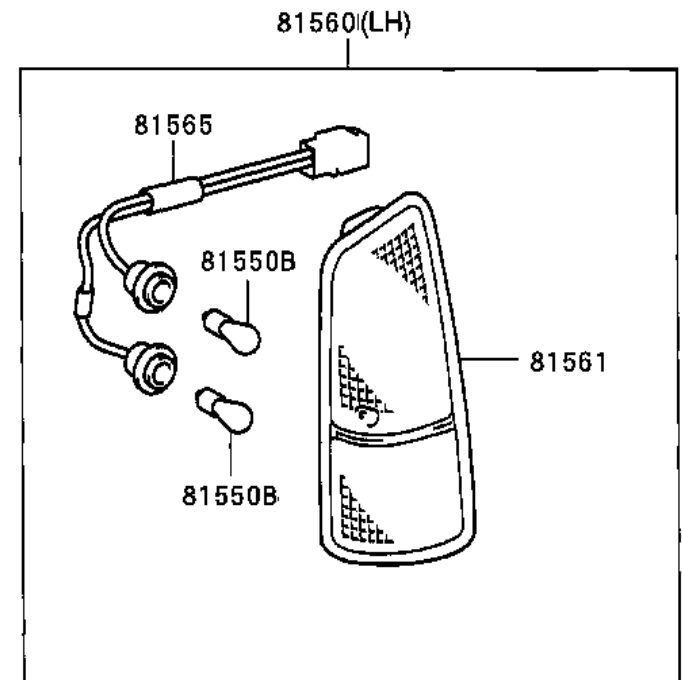
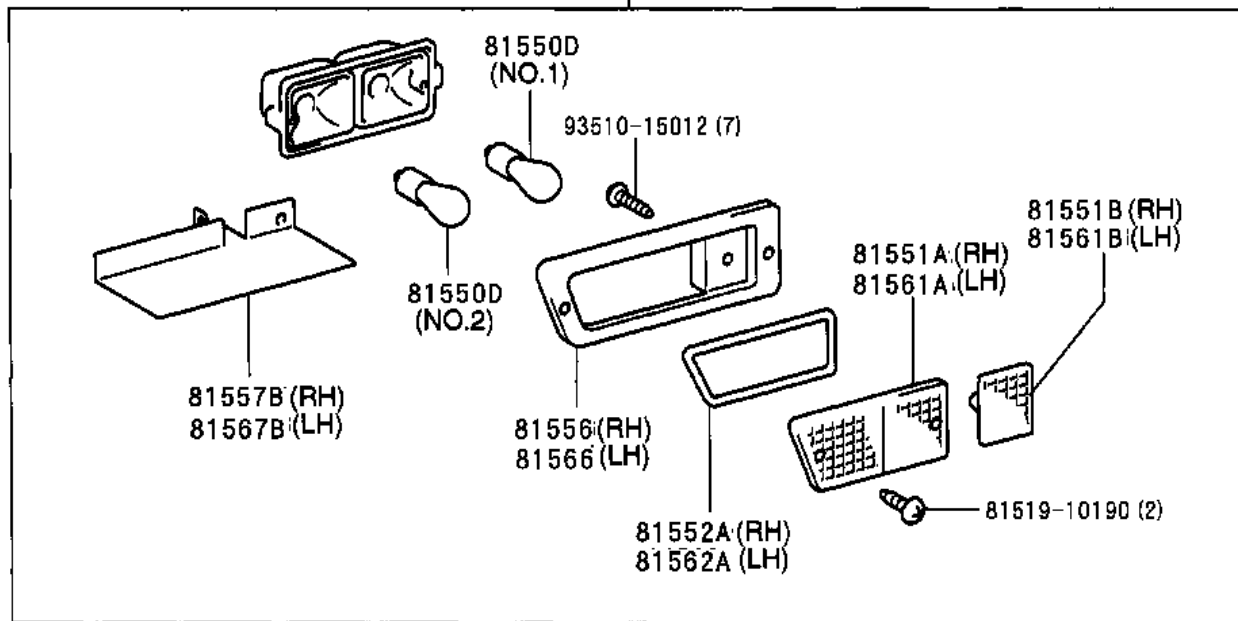


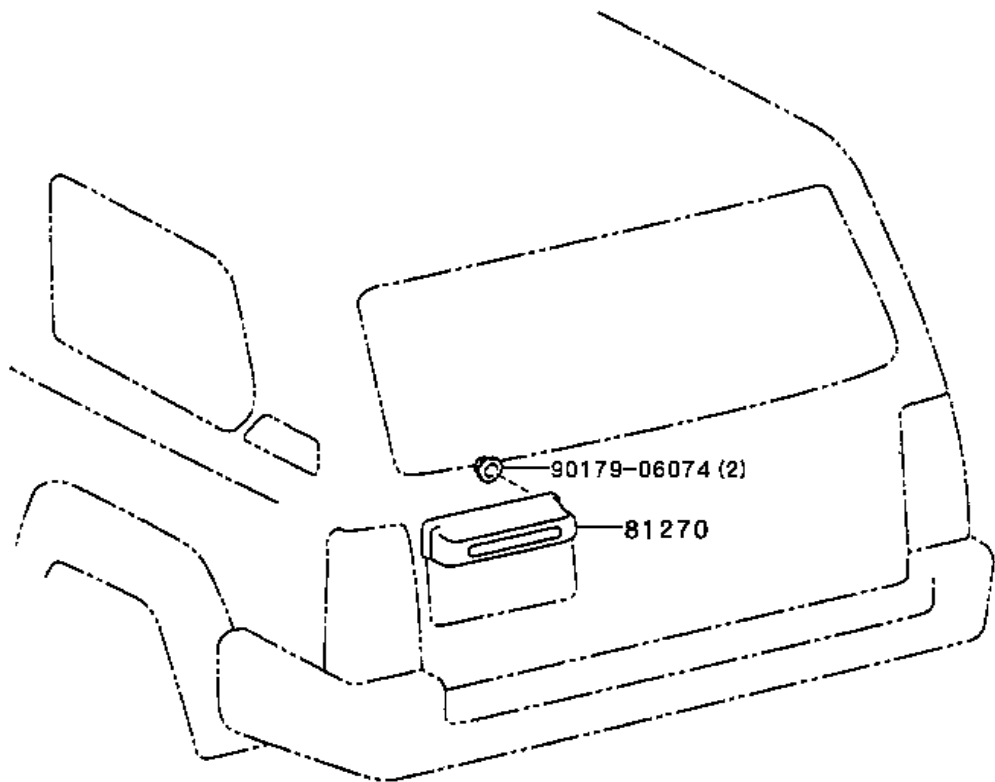
81560 (LH)



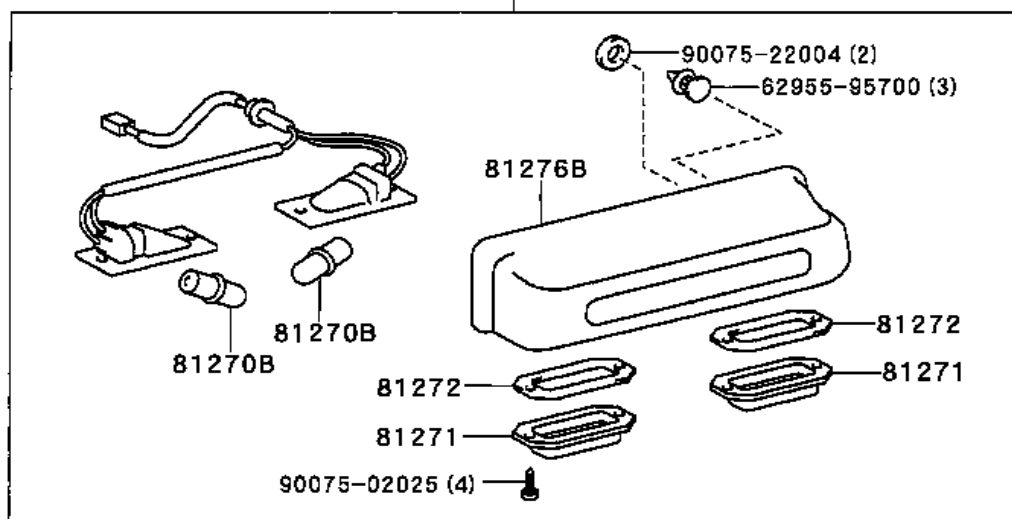


81550C (RH)
81560A (LH)

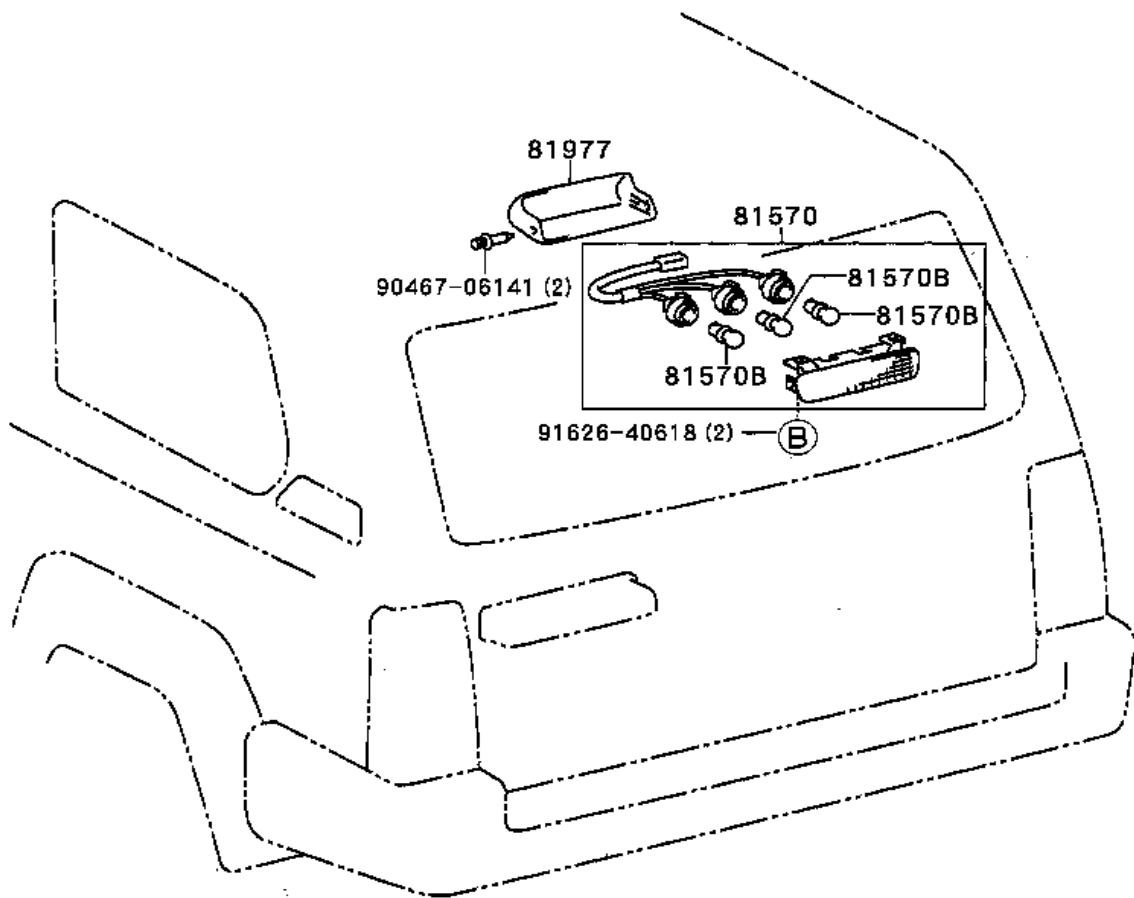


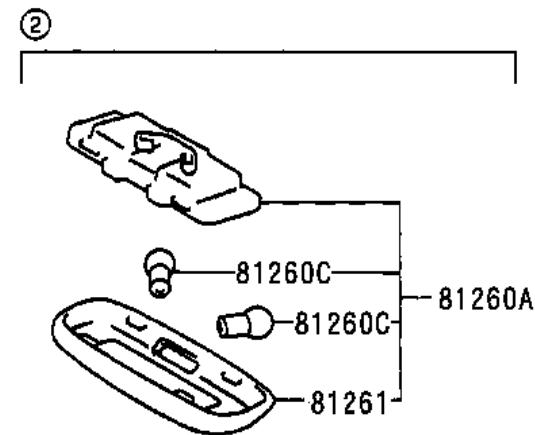
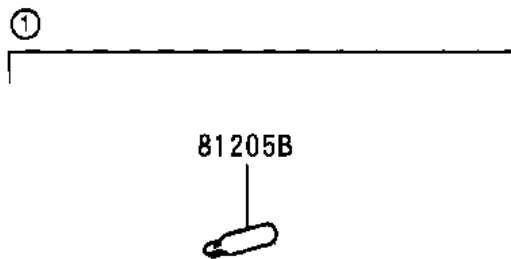
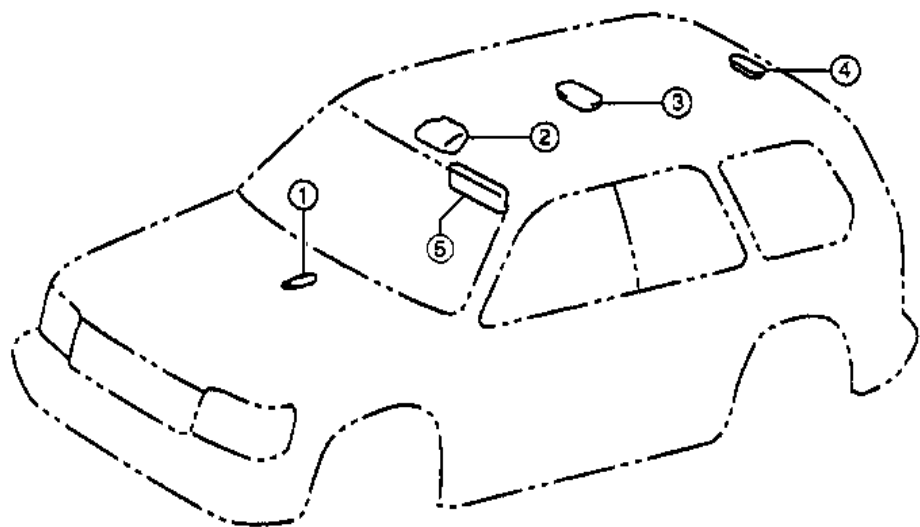


81270

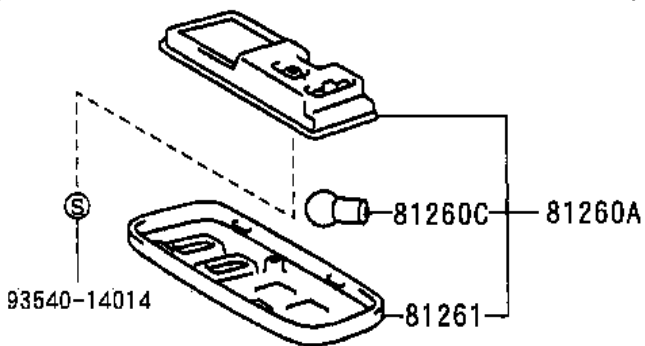


810005-B

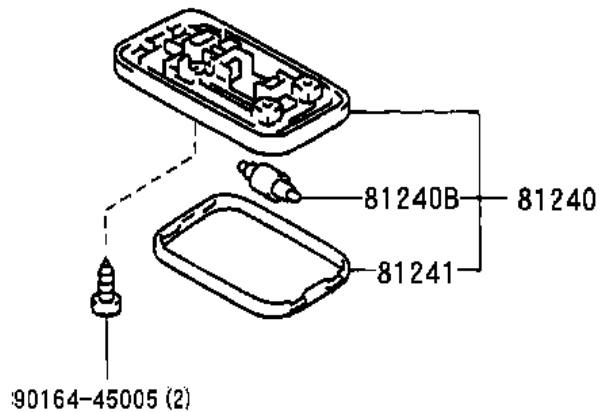




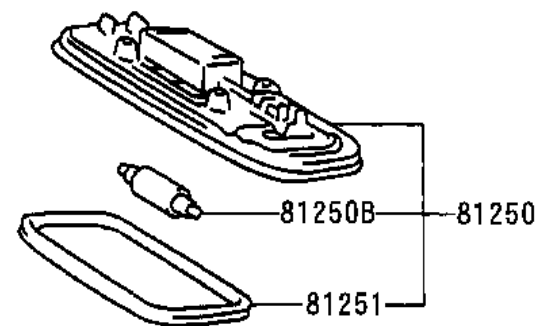
② W(MOON ROOF)



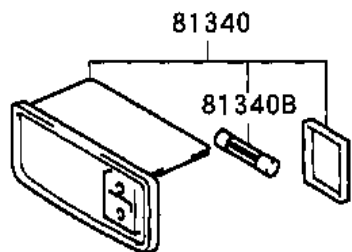
③

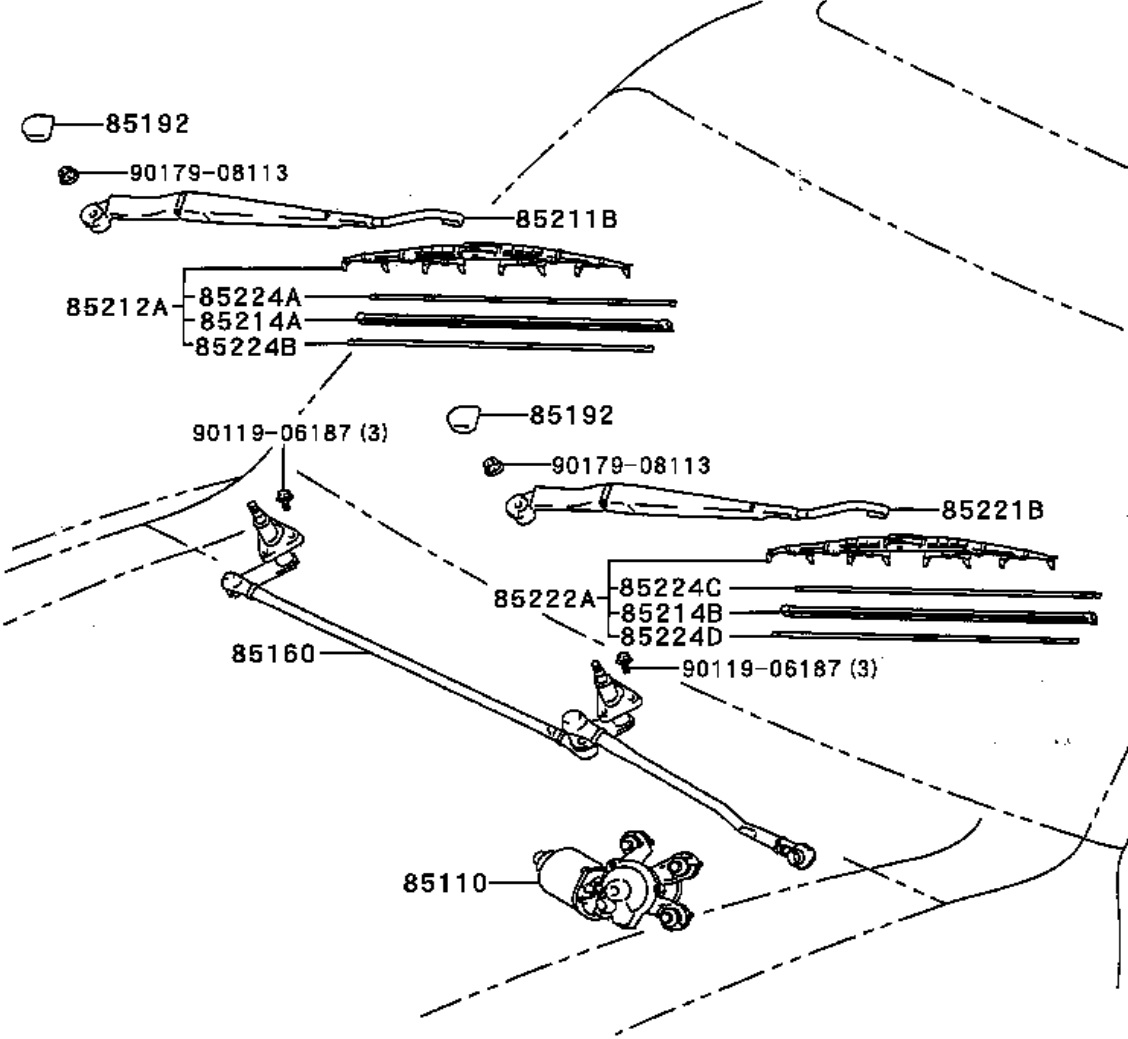


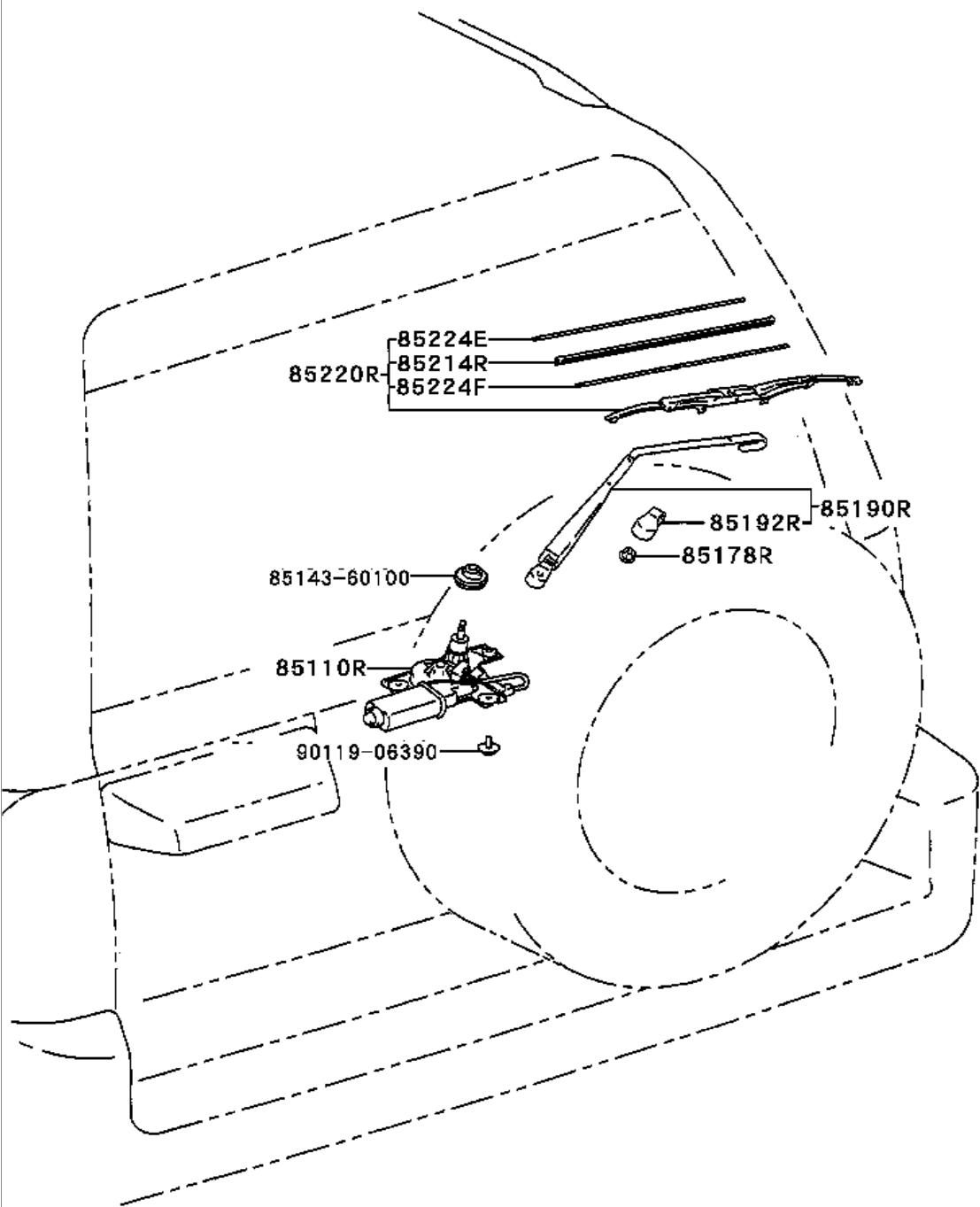
④

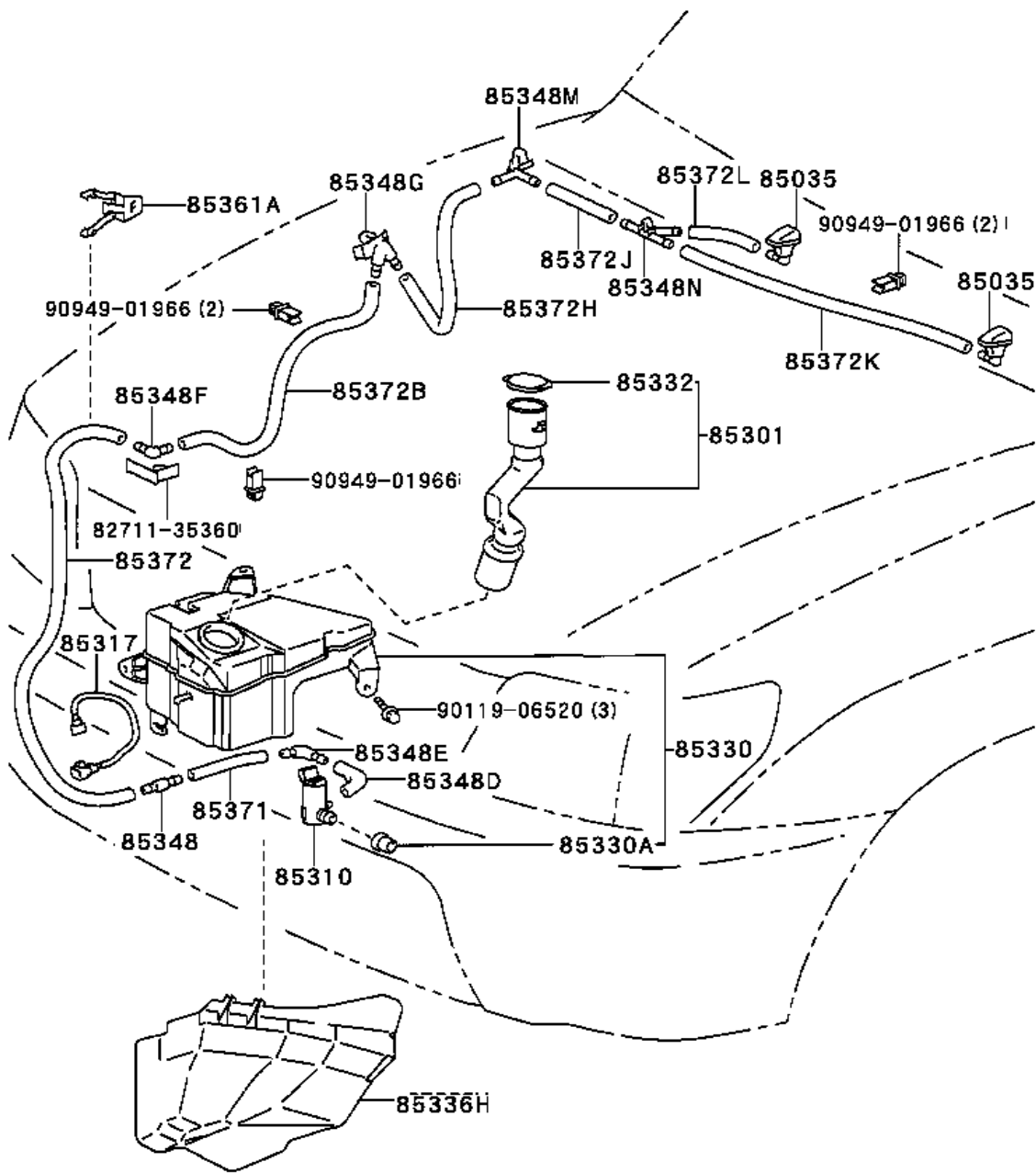


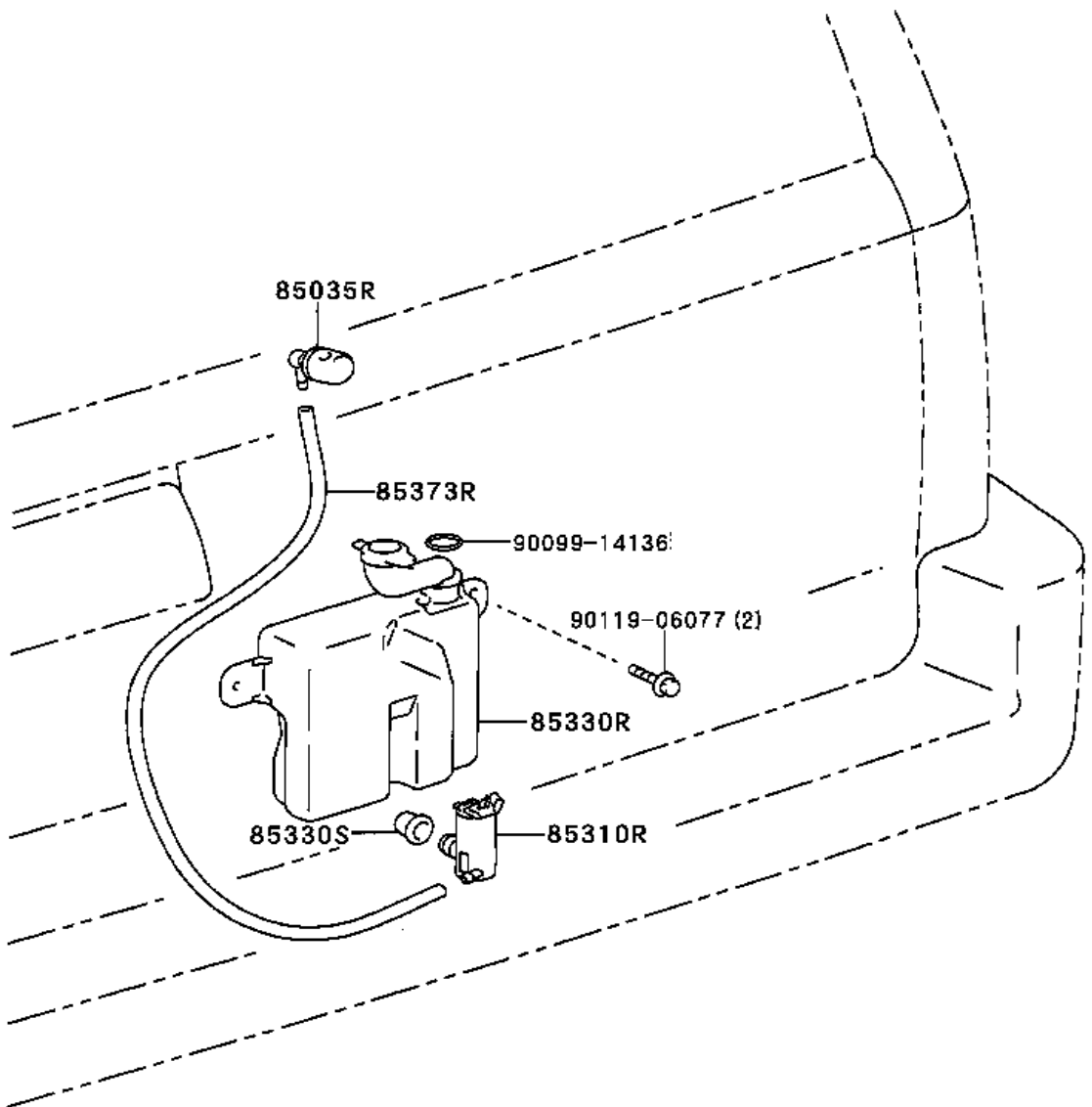
⑤ (9906-)

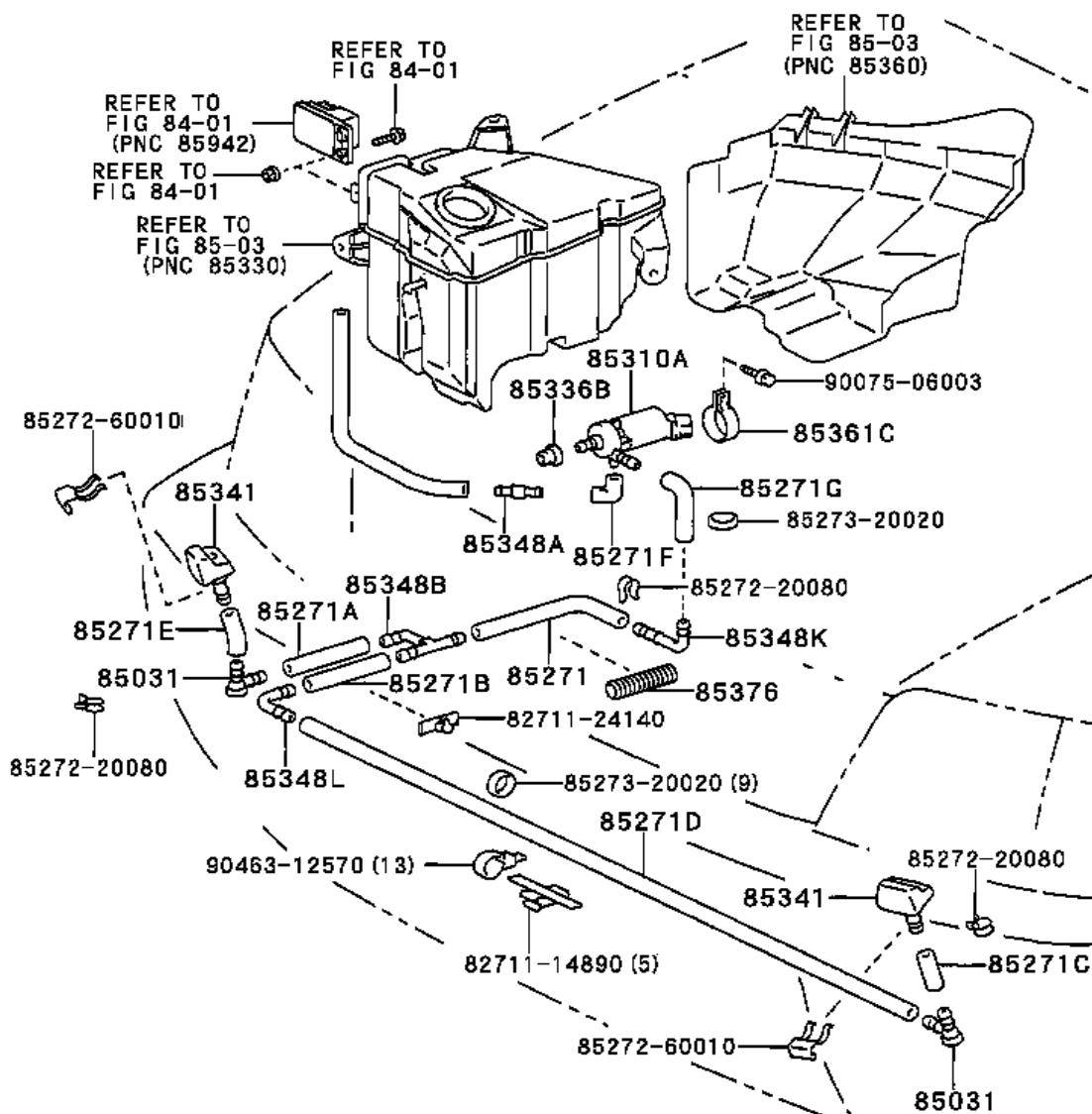


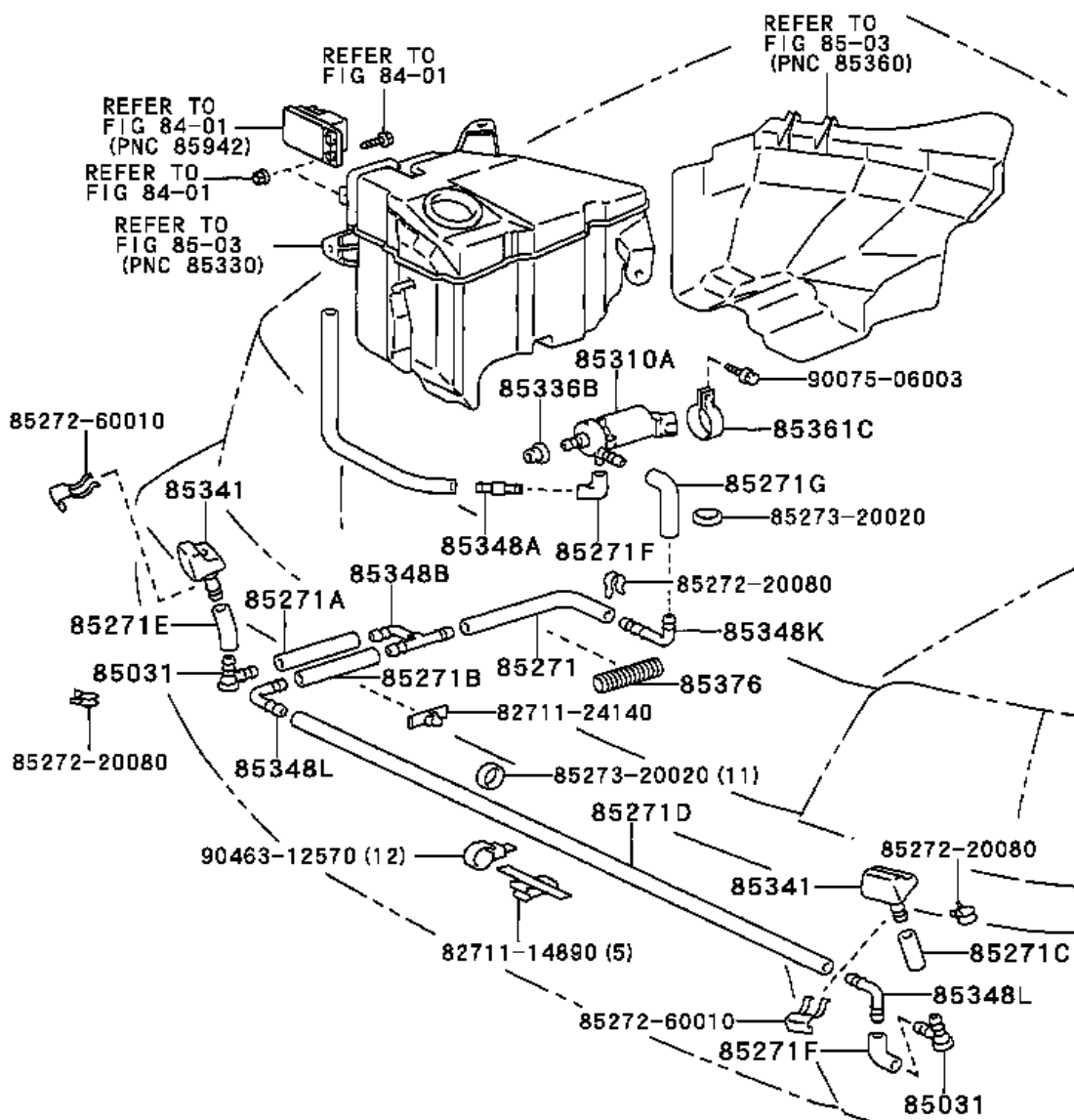


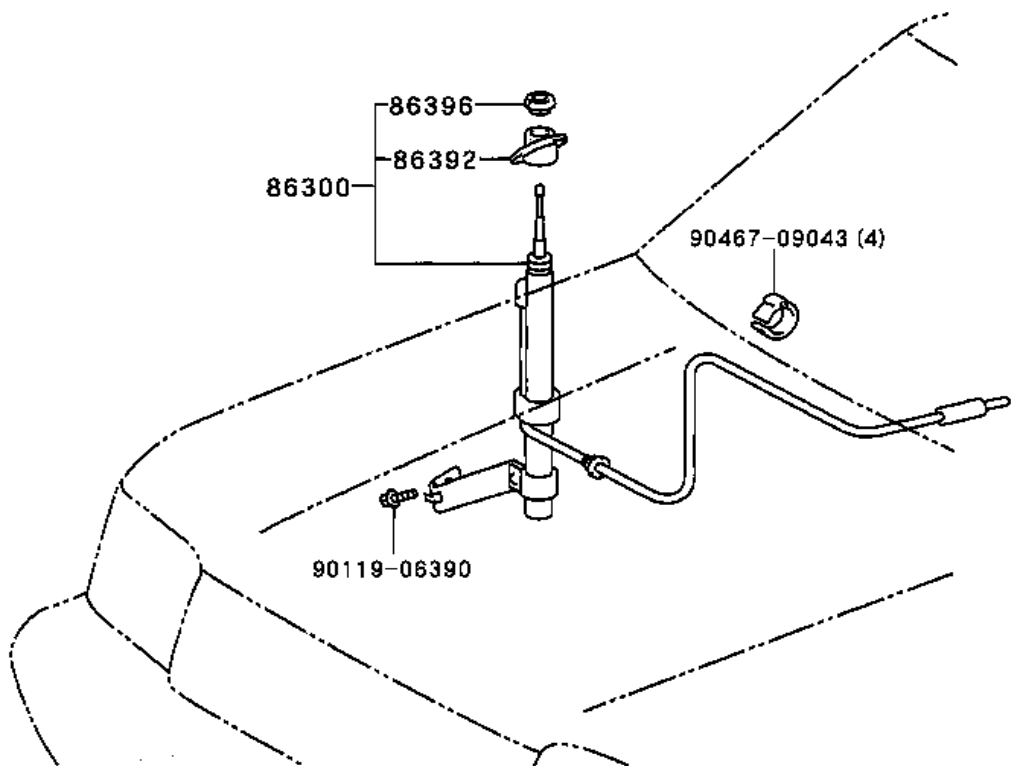


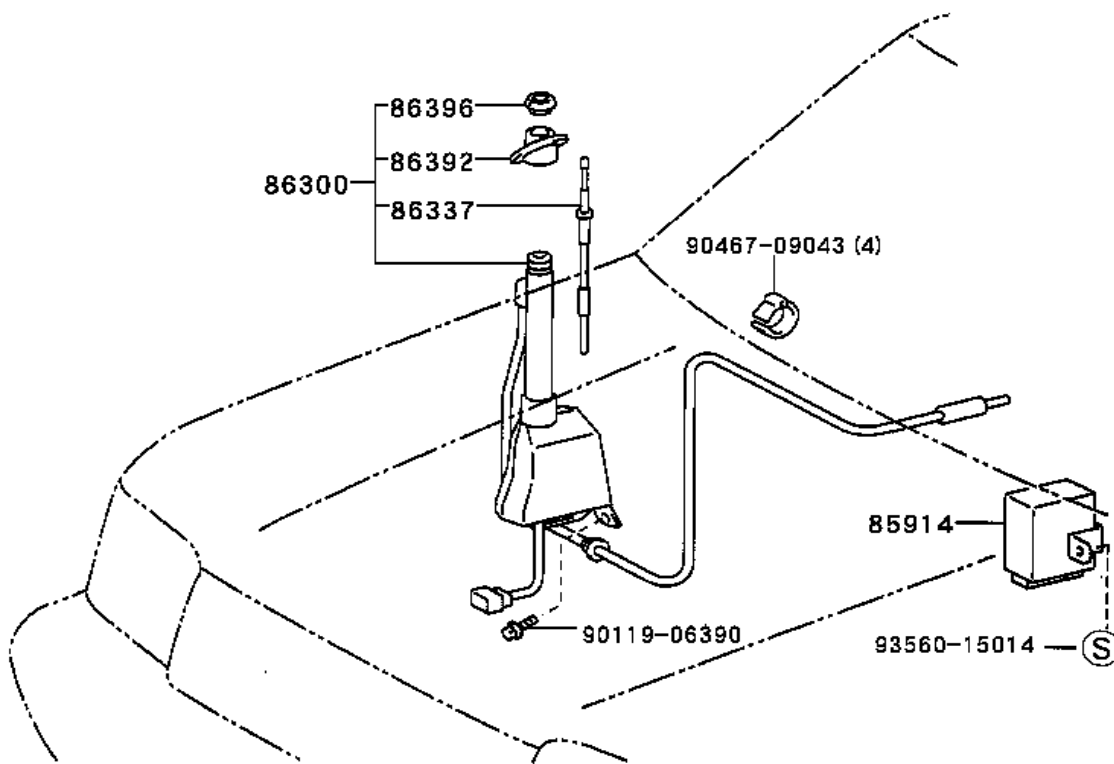


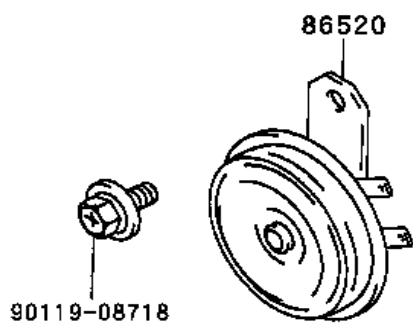
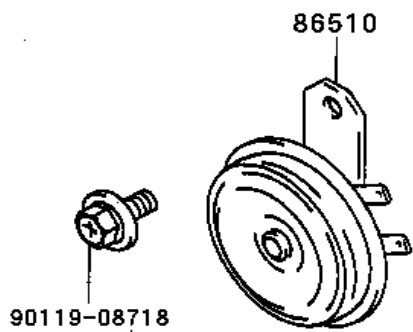




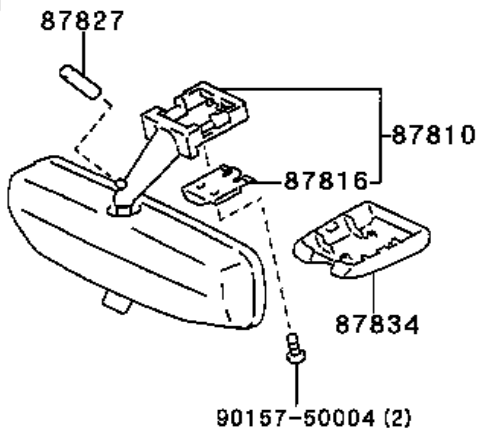




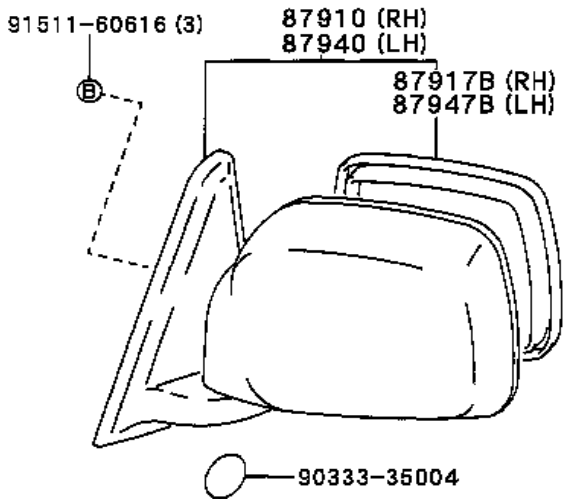




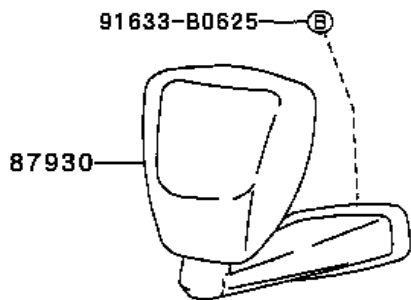
INNER MIRROR

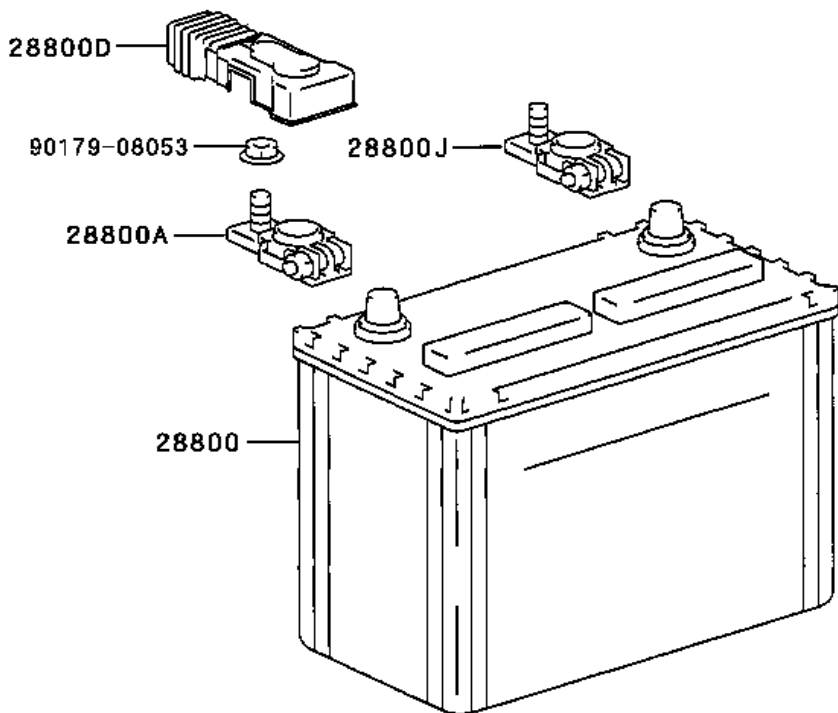


OUTER MIRROR

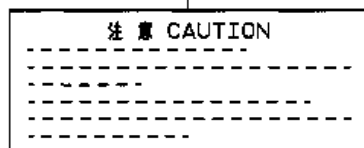


FR FENDER SIDE VIEW

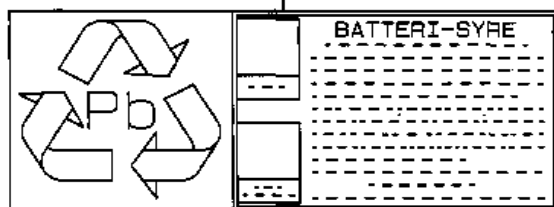


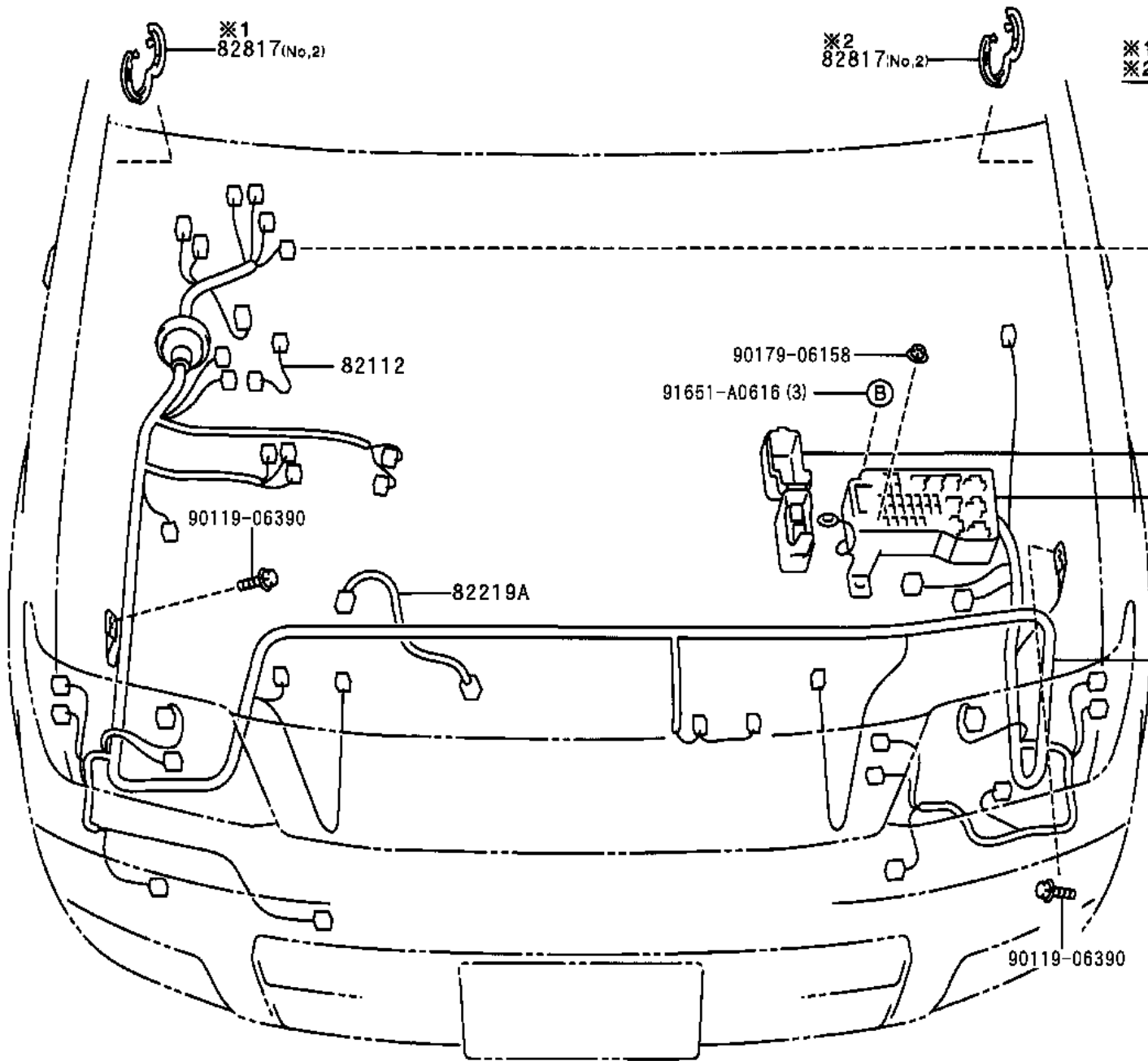


28897

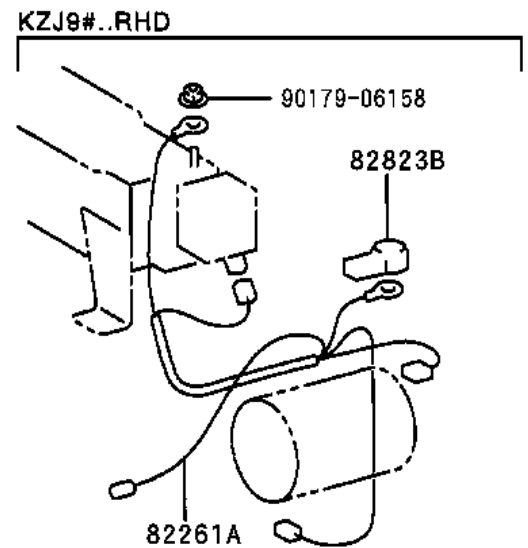
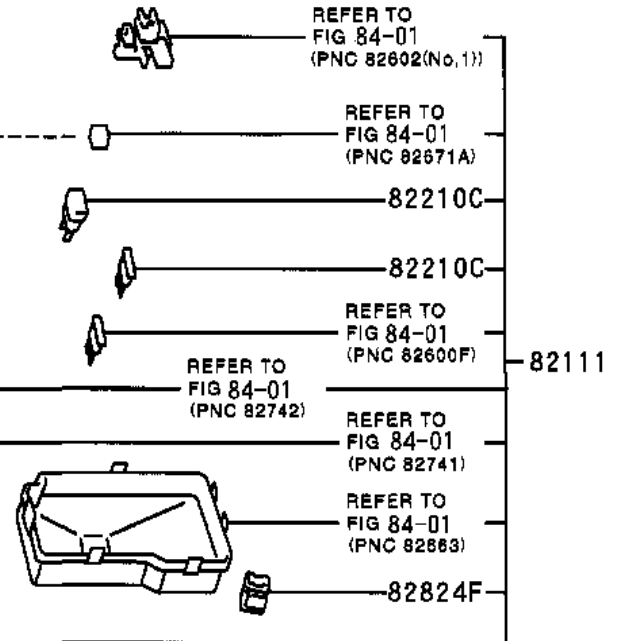


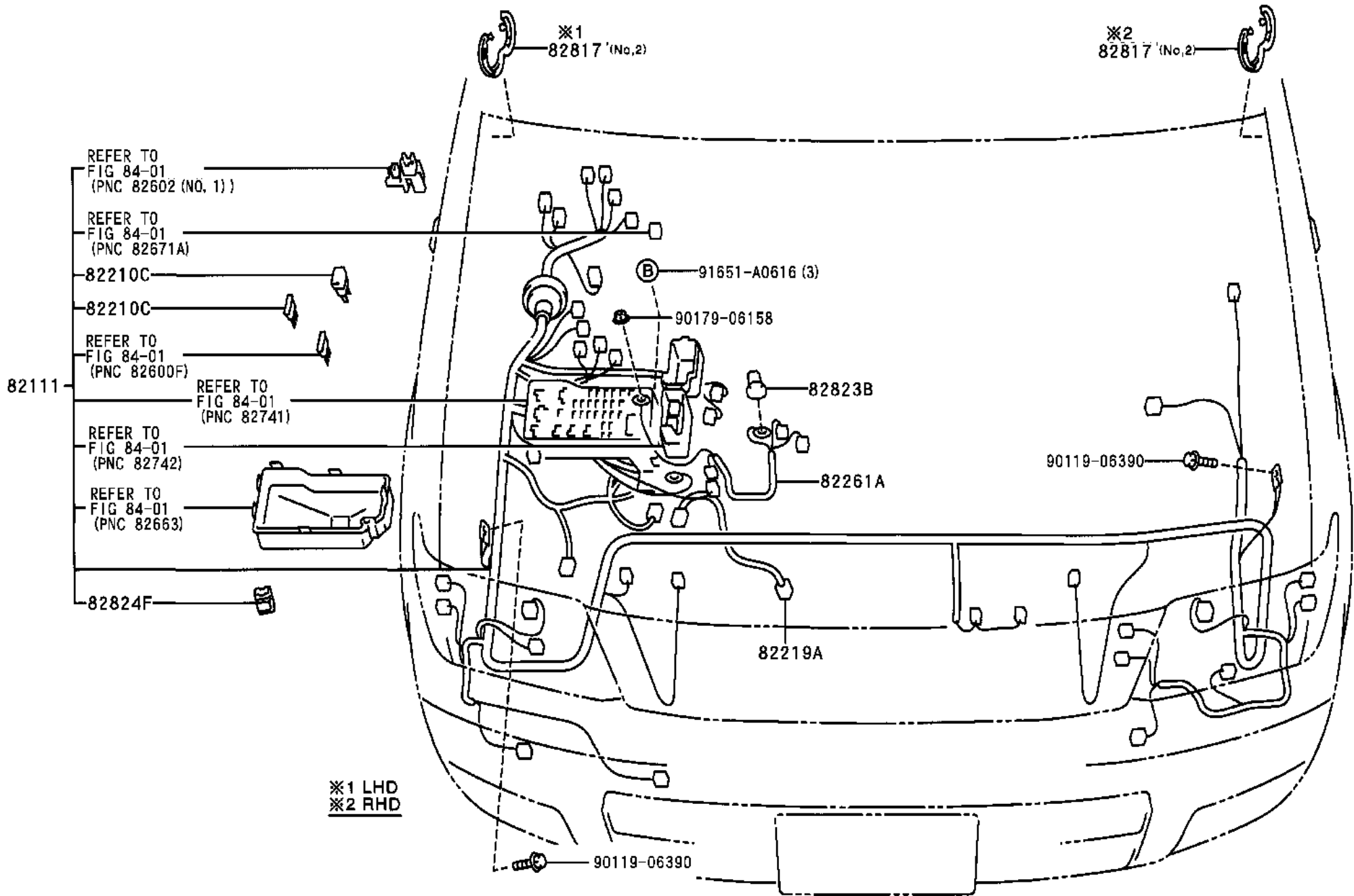
28898

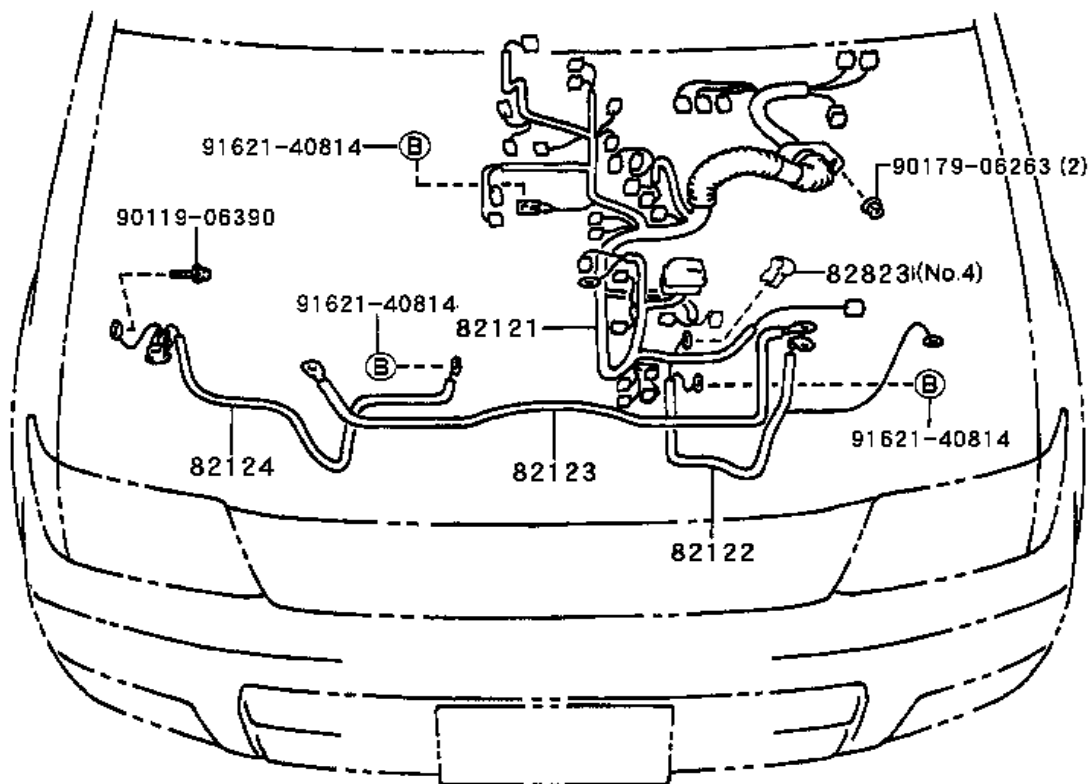


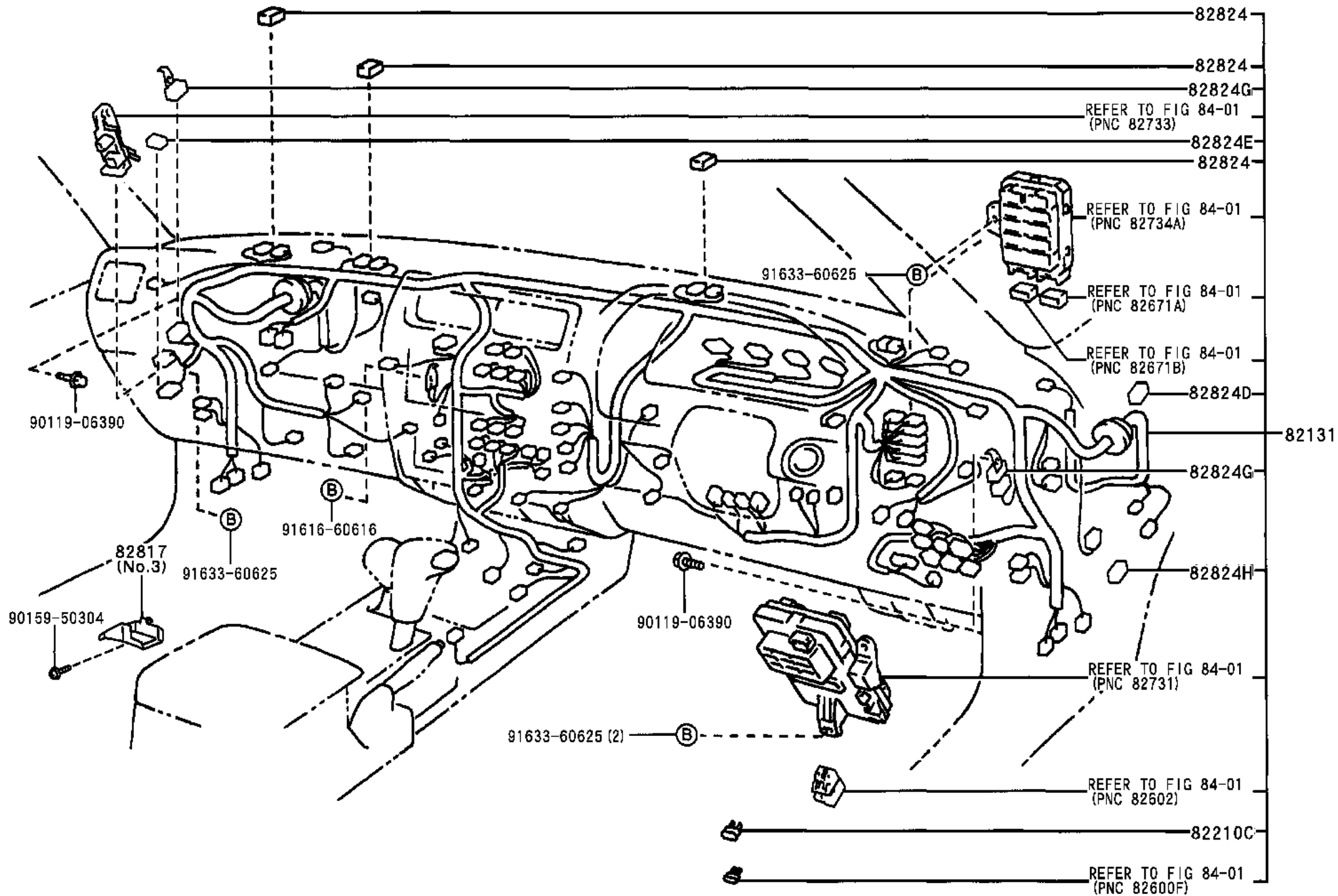


※1 LHD
 ※2 RHD

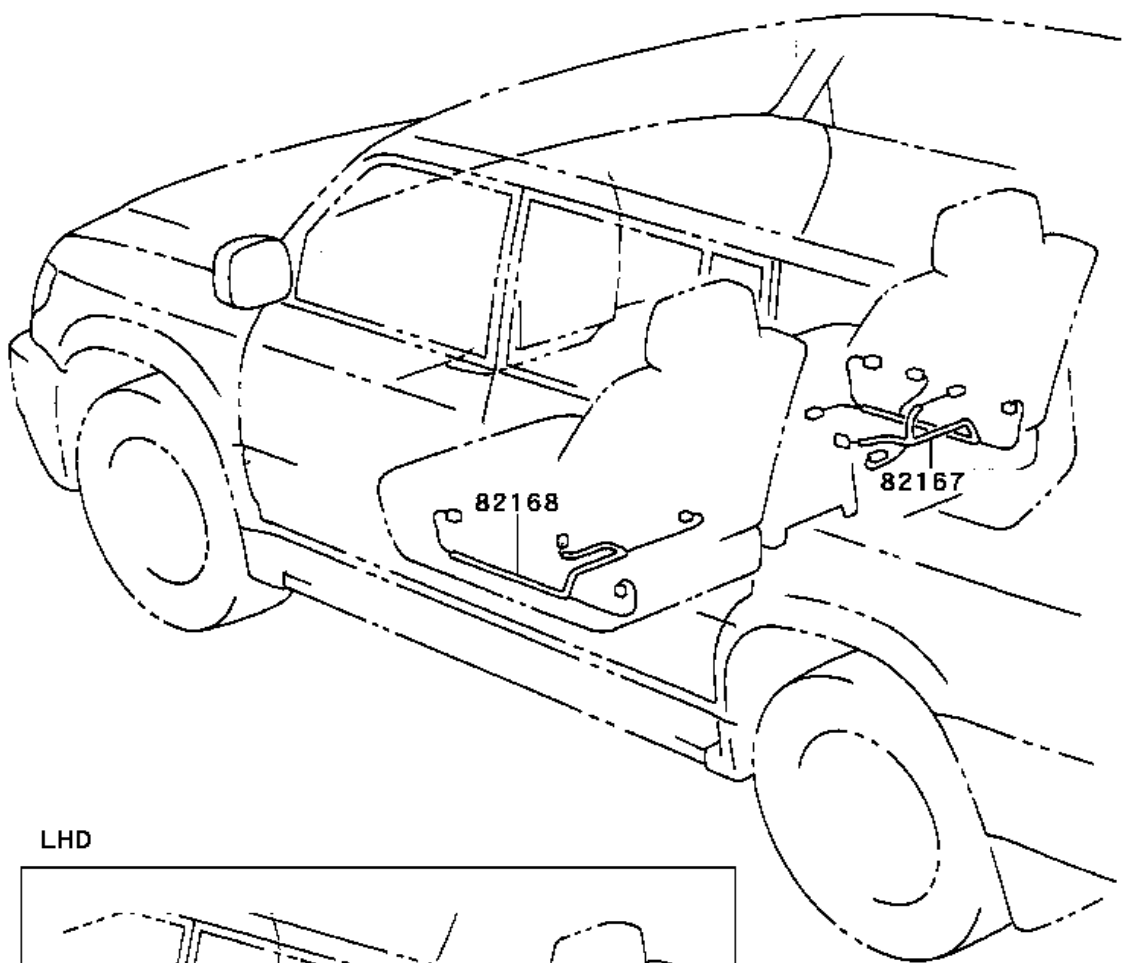




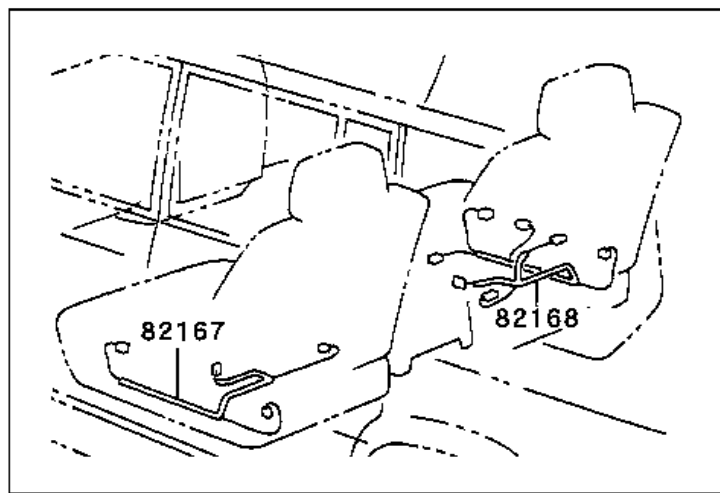




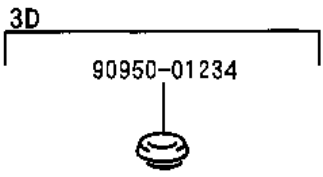
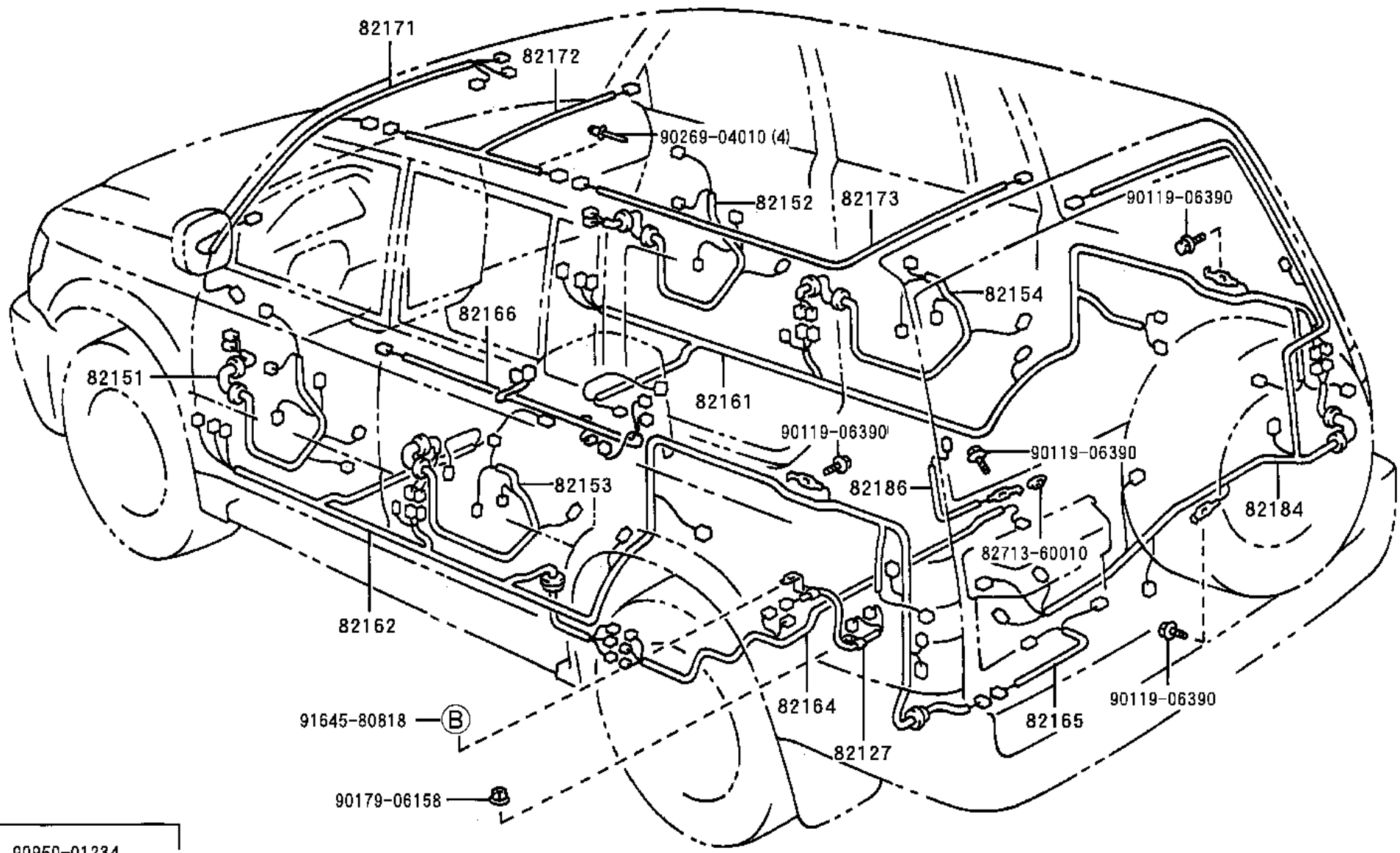
RHD

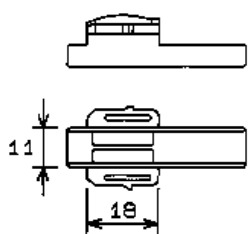


LHD

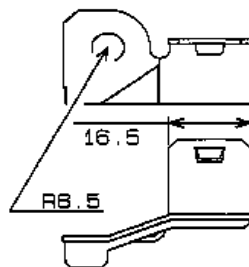


820021-A

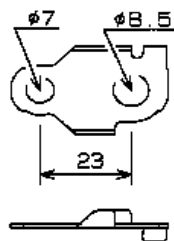




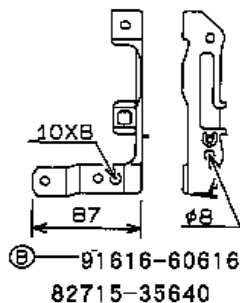
82711-35420



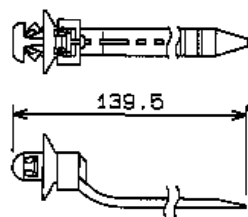
82715-35620



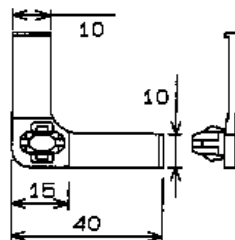
82715-22070



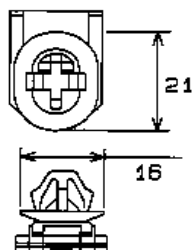
82715-35640



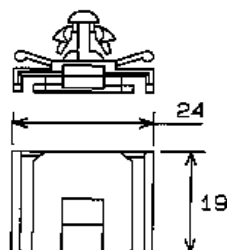
82711-10330



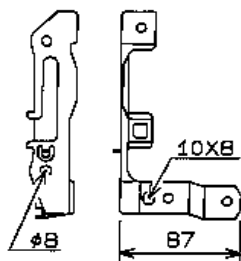
82711-1E040



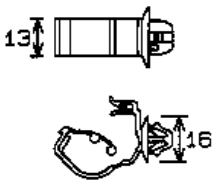
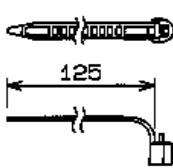

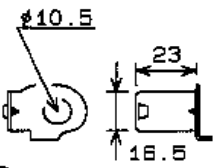
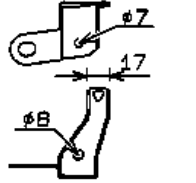
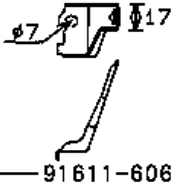
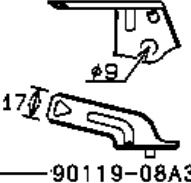
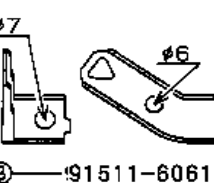
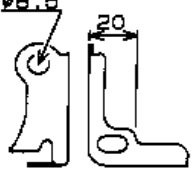
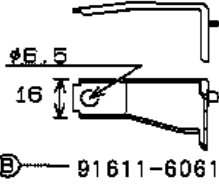
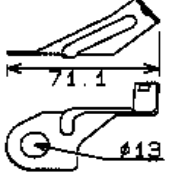
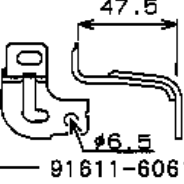
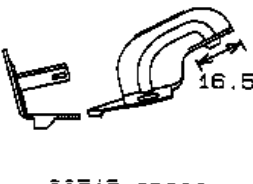
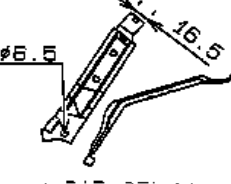
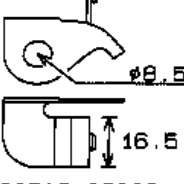
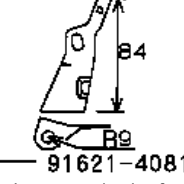
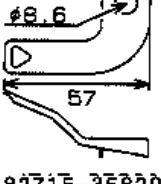
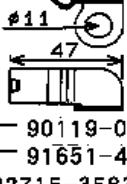
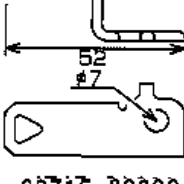
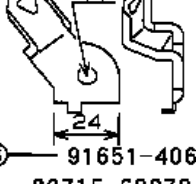
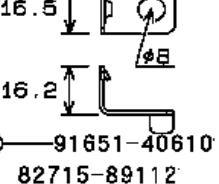

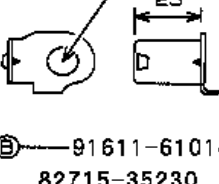
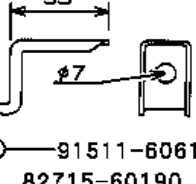
82711-1E320

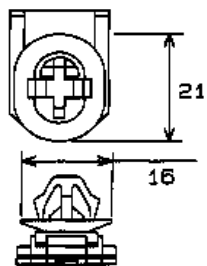


82711-2A630

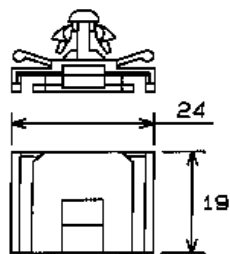


82715-35290

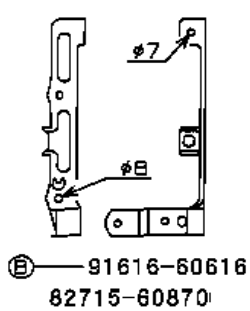
 <p>82711-1E340</p>	 <p>82711-12200</p>	 <p>82711-34310</p>	 <p>82715-34230</p>
 <p>82715-35320</p>	 <p>82715-35350</p>	 <p>82715-35370</p>	 <p>82715-35580</p>
 <p>82715-35630</p>	 <p>82715-35670</p>	 <p>82715-35700</p>	 <p>82715-35730</p>
 <p>82715-3D300</p>	 <p>82715-35760</p>	 <p>82715-35800</p>	 <p>82715-35810</p>
 <p>82715-35820</p>	 <p>82715-35830</p>	 <p>82715-80260</p>	 <p>82715-60270</p>
 <p>82715-89112</p>	 <p>82711-3H630</p>	 <p>82715-35230</p>	 <p>82715-60190</p>



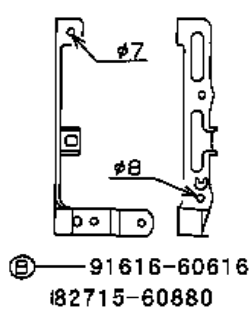
82711-1E320



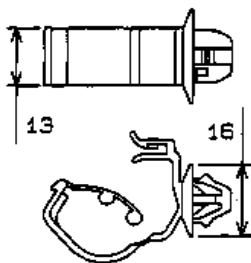
82711-2A630



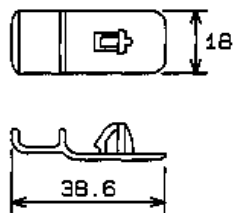
91616-60616
82715-60870



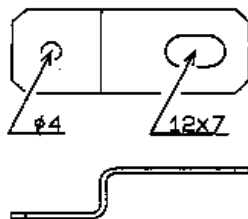
91616-60616
82715-60880



82711-1E340

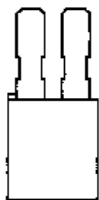


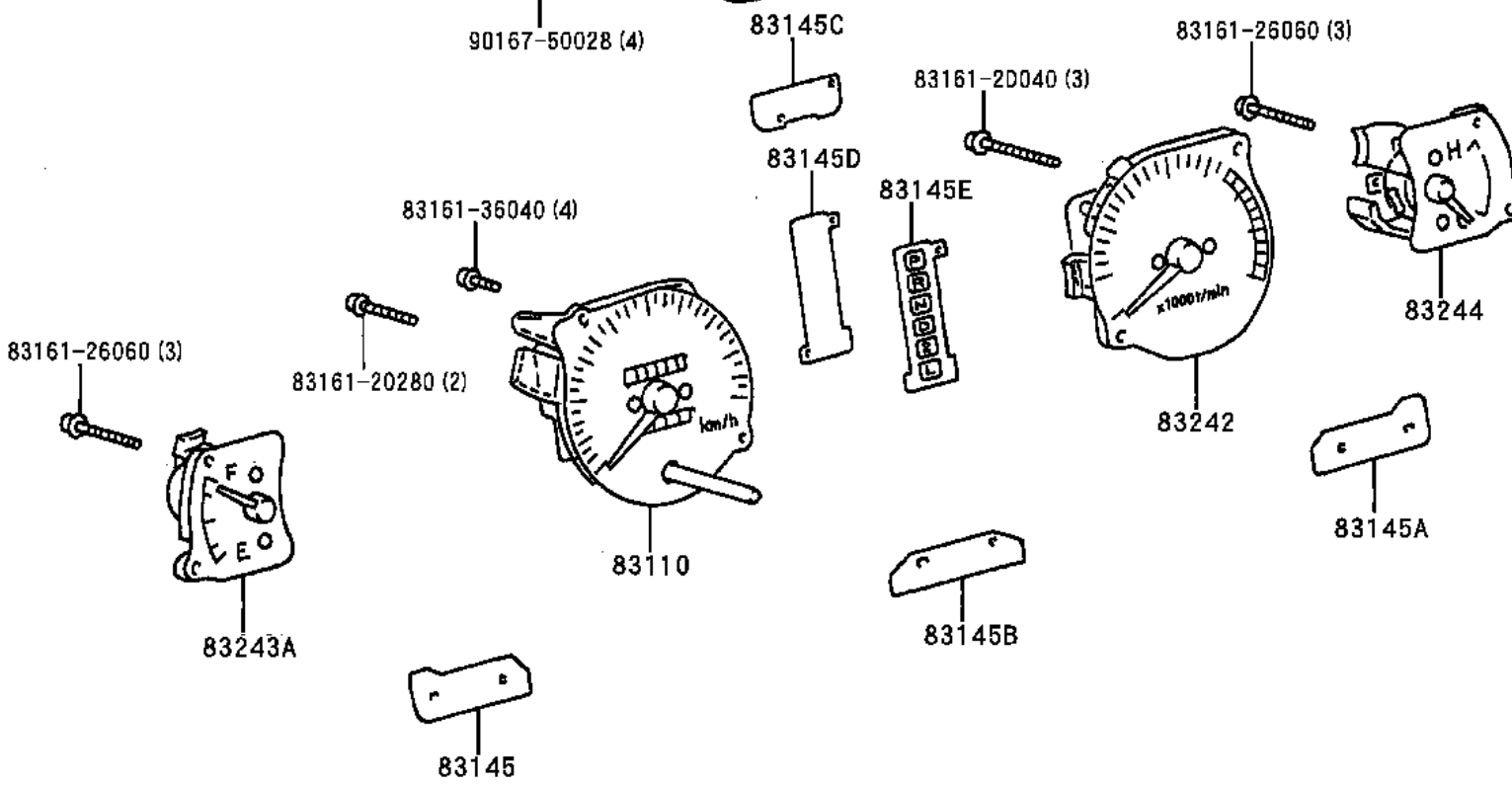
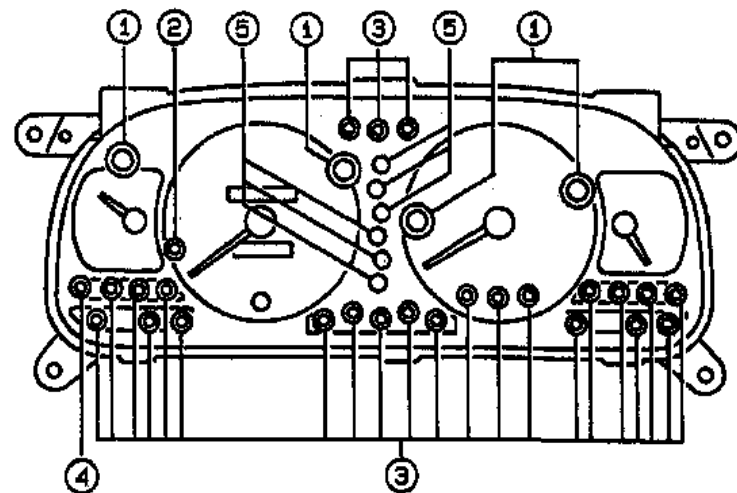
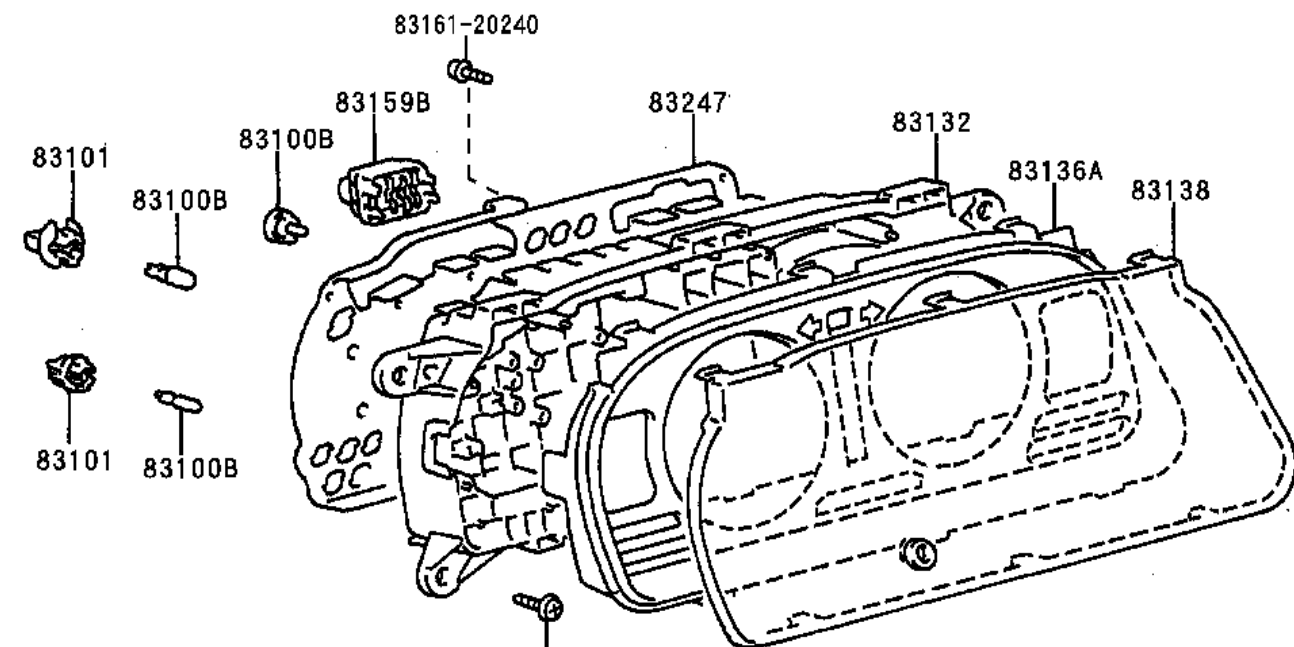
82711-2A720



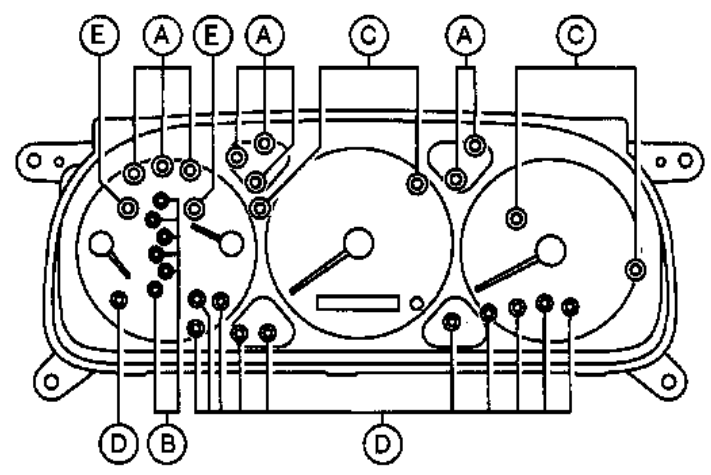
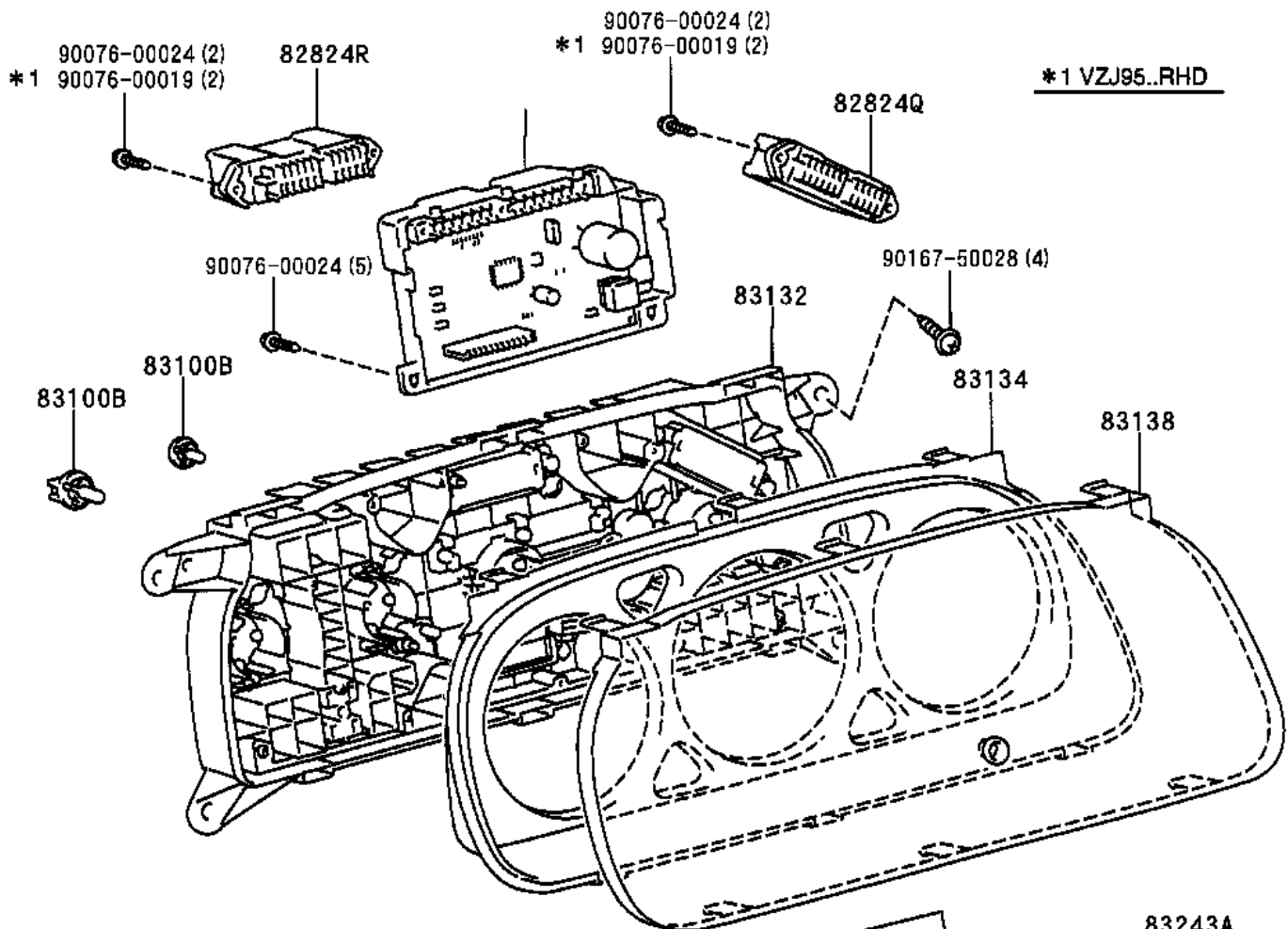
82715-60250

82345

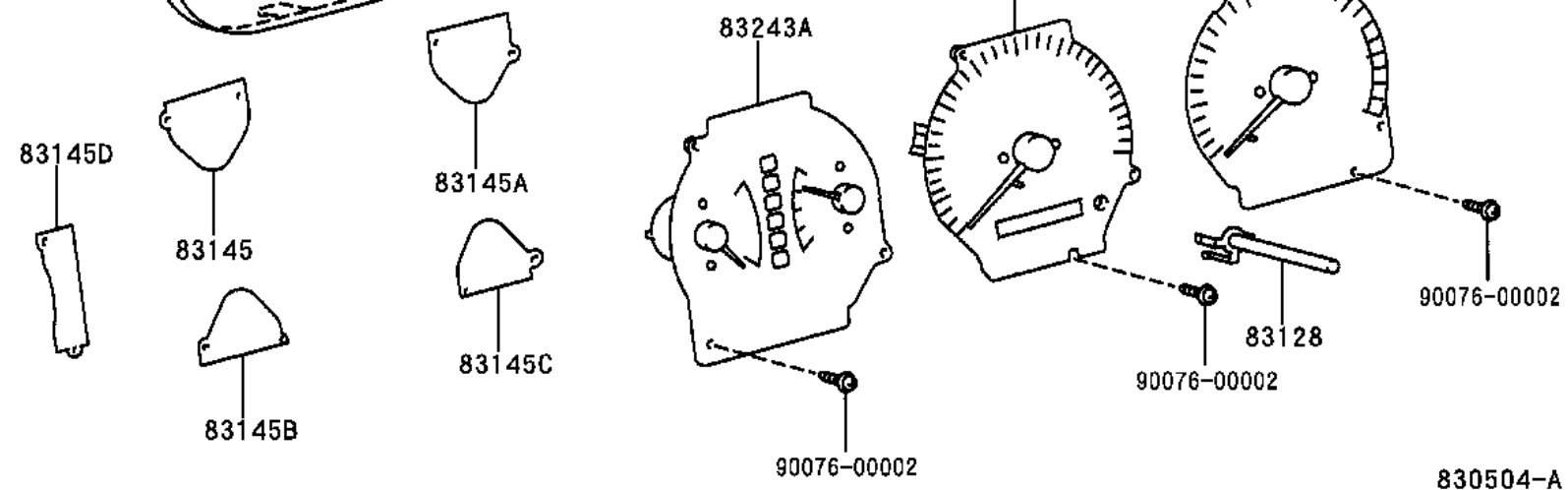




NO	PNC	TYPE
①	83100B	TYPE A
	83101	TYPE A
②	83100B	TYPE B
	83101	TYPE B
③	83100B	TYPE C
	83101	TYPE C
④	83100B	TYPE D
	83101	TYPE D
⑤	83100B	TYPE E
	83101	TYPE B



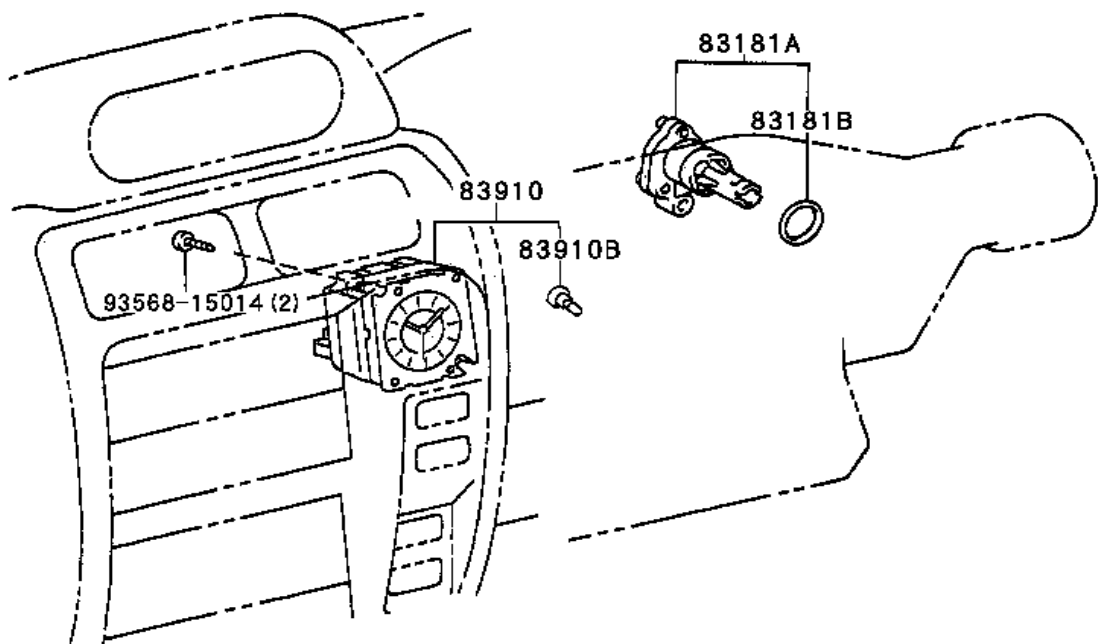
(A)	83100B	83120-60020
(B)	83100B	90010-06045
(C)	83100B	90010-06046
(D)	83100B	90076-04003
(E)	83100B	90010-06030

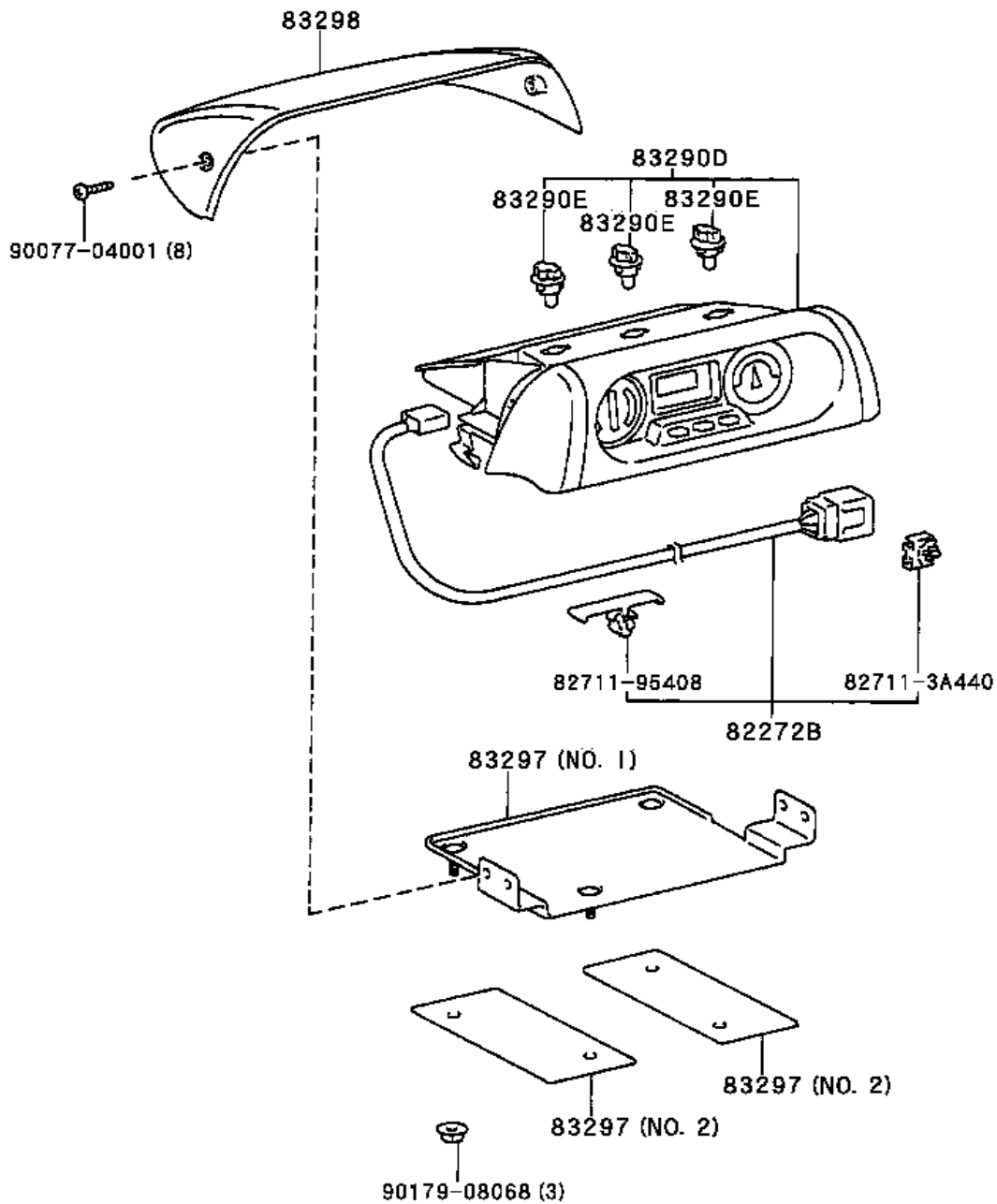


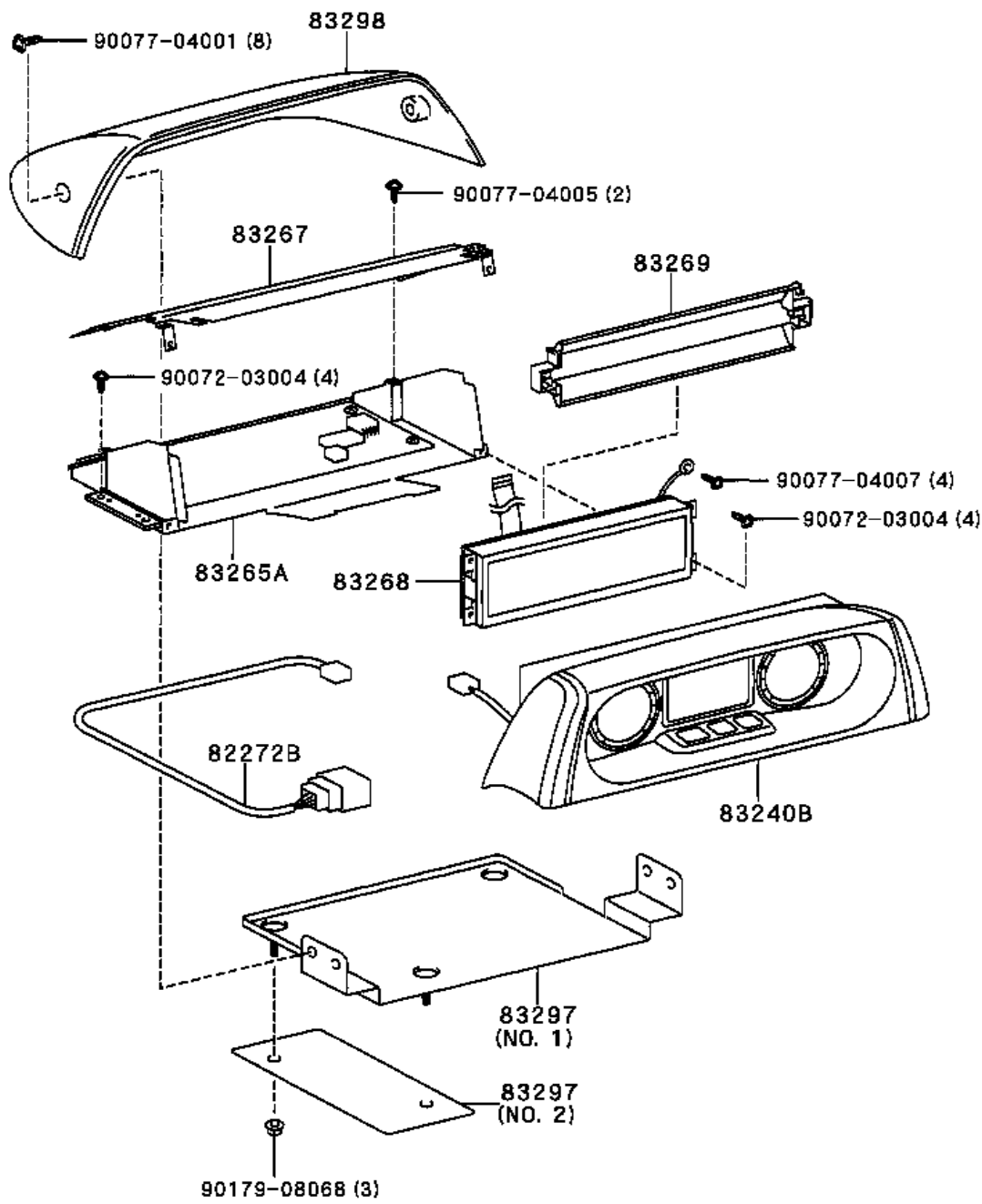
CLOCK

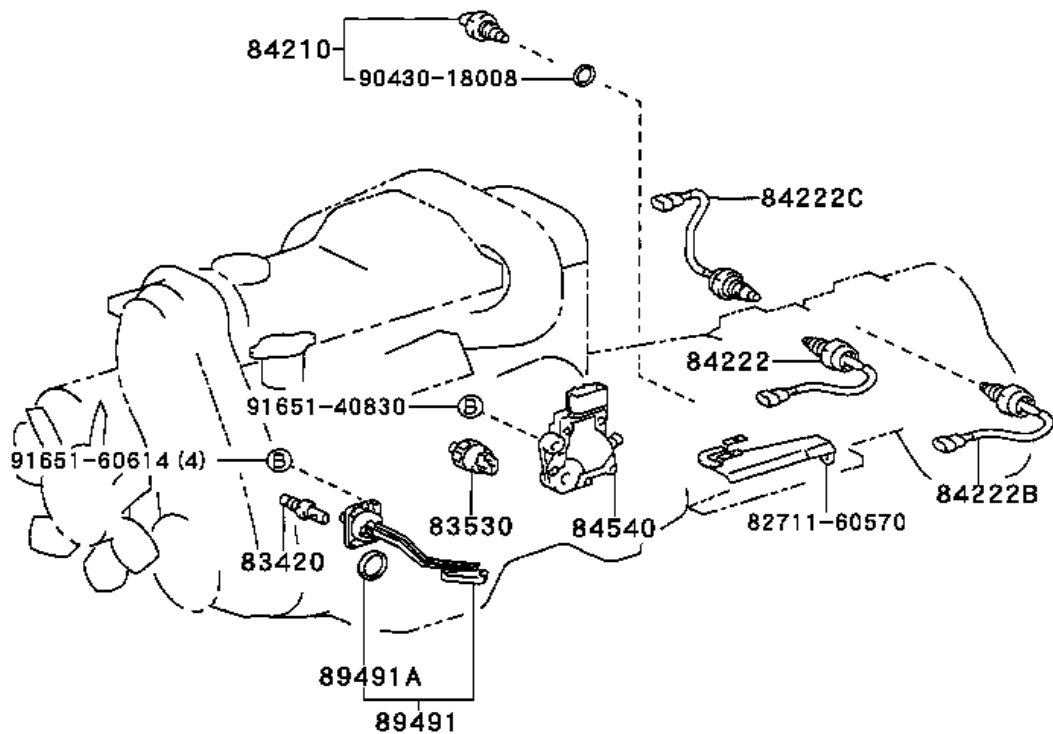
SENSOR

ANALOG



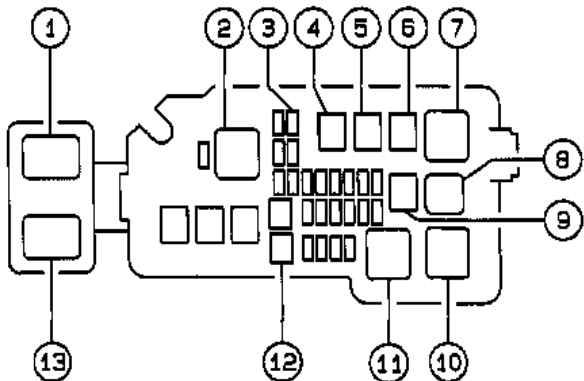




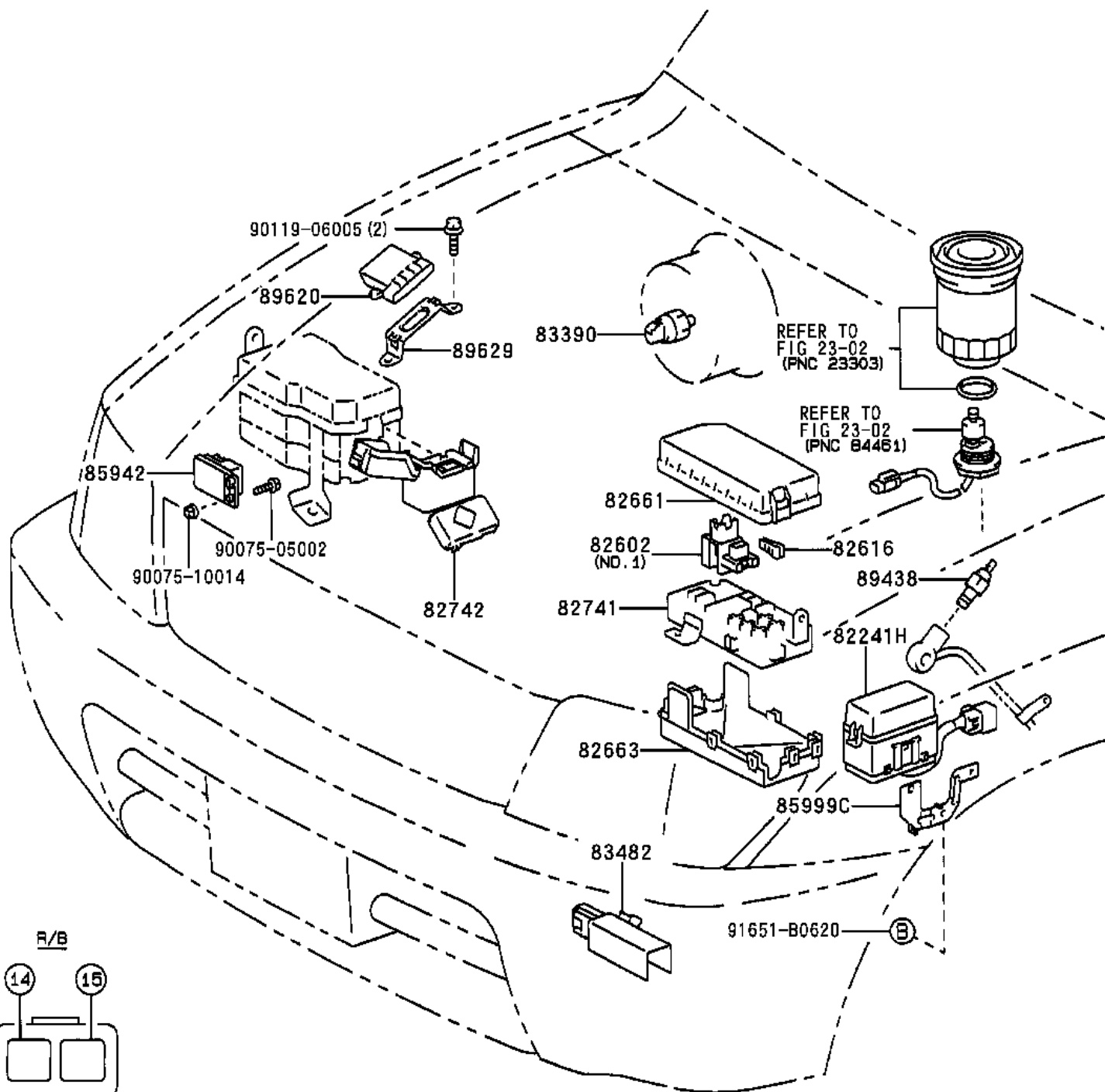
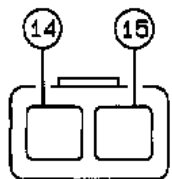


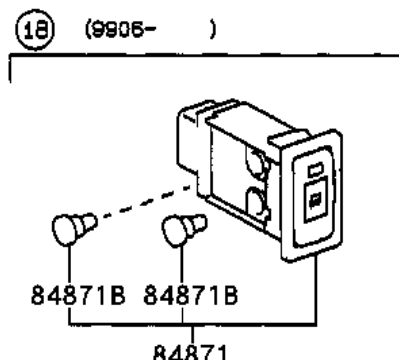
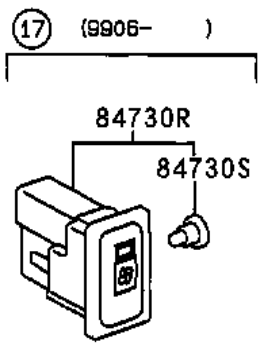
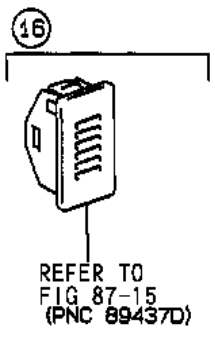
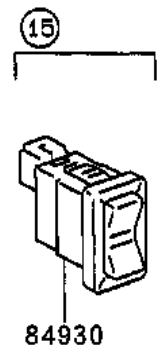
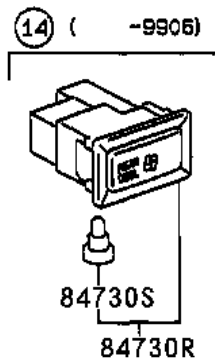
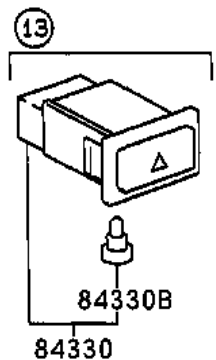
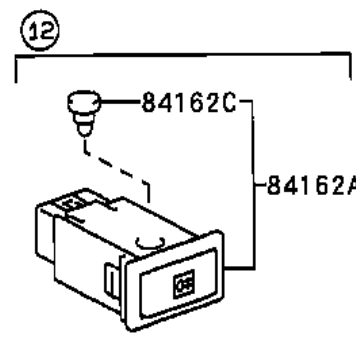
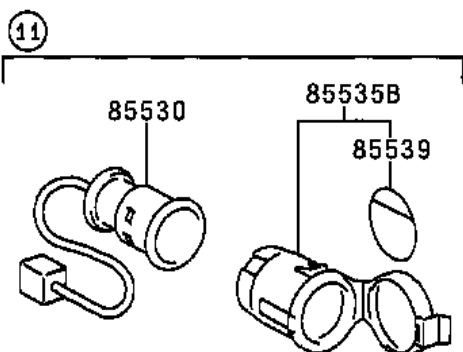
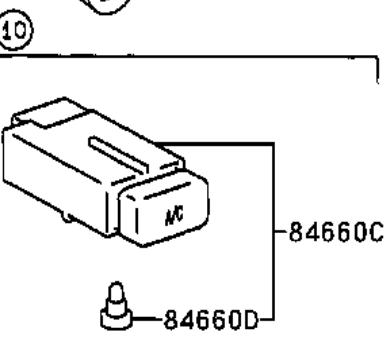
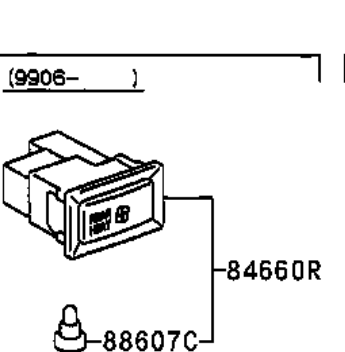
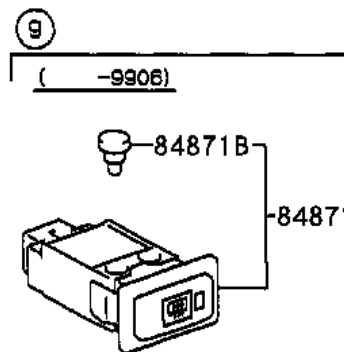
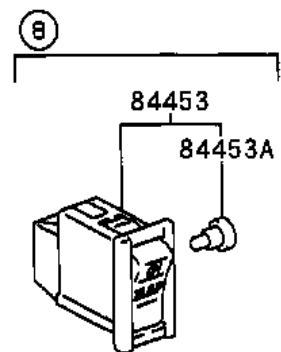
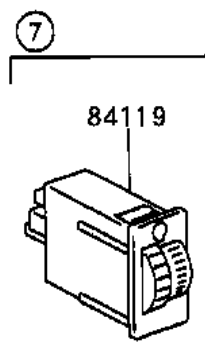
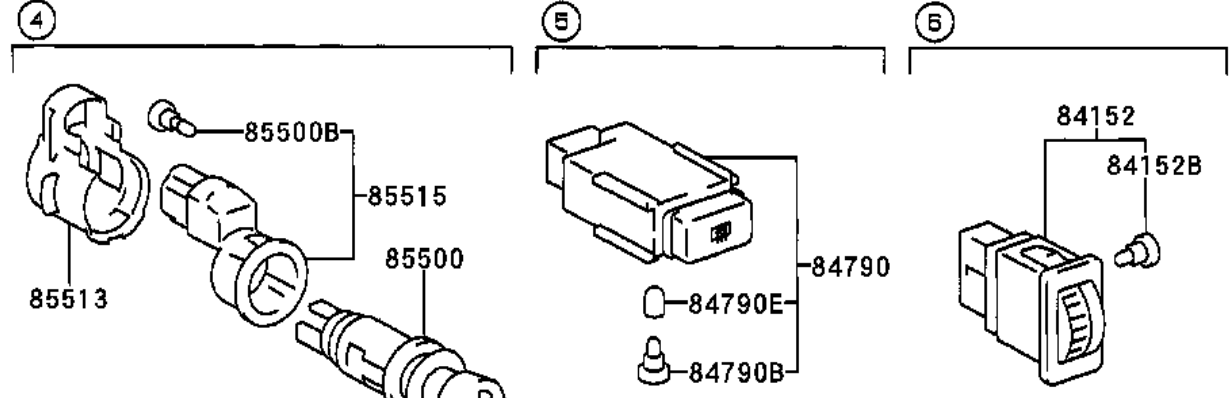
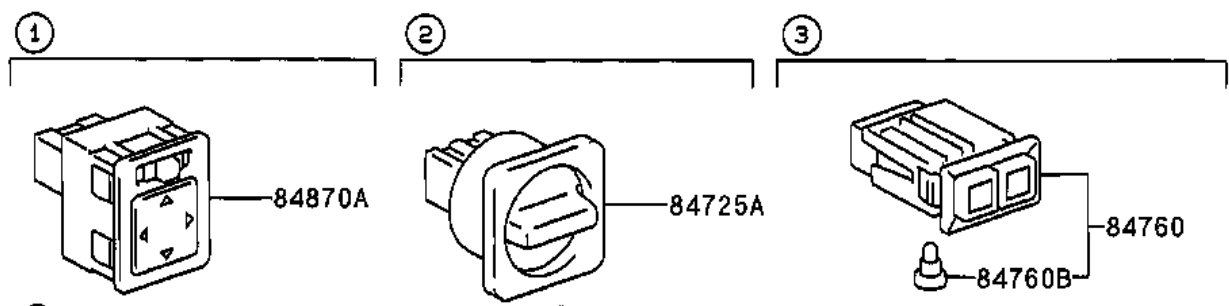
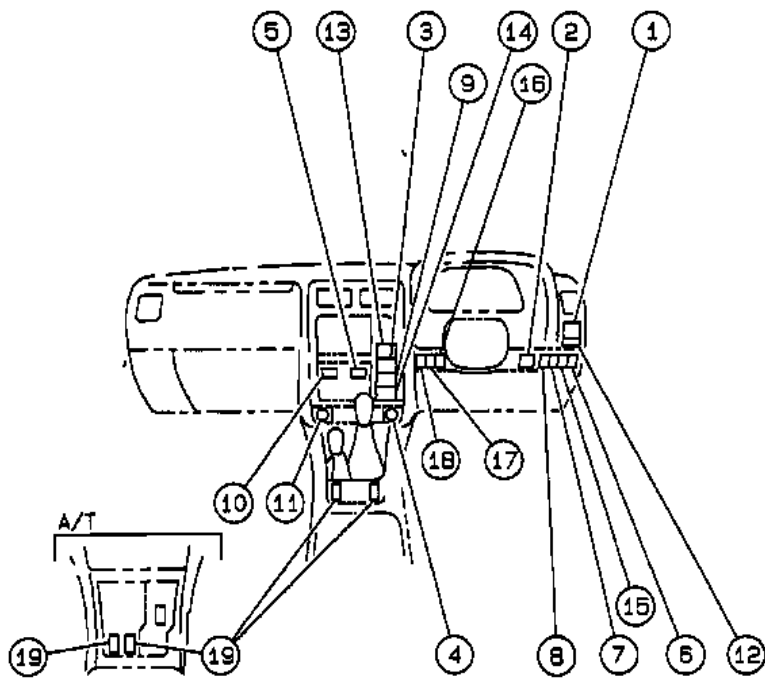
NO.	PNC	DISC
①	28610A	KZJ
②	85926	
③	82600F	
④	REFER TO FIG 84-04 (PNC 85910F)	VZJ
	REFER TO FIG 84-05 (PNC 85915B)	KZJ
⑤	85910X	
⑥	85916D	(9906-)
⑦	85530A	
⑧	28300	VZJ
⑨	85916N	(-9906)
⑩	85910C	
⑪	85916P	(-9906)
⑫	REFER TO FIG 82-02 (PNC 82210C)	
⑬	28300	KZJ
⑭	88630G	
⑮	85934	

R/B NO.2

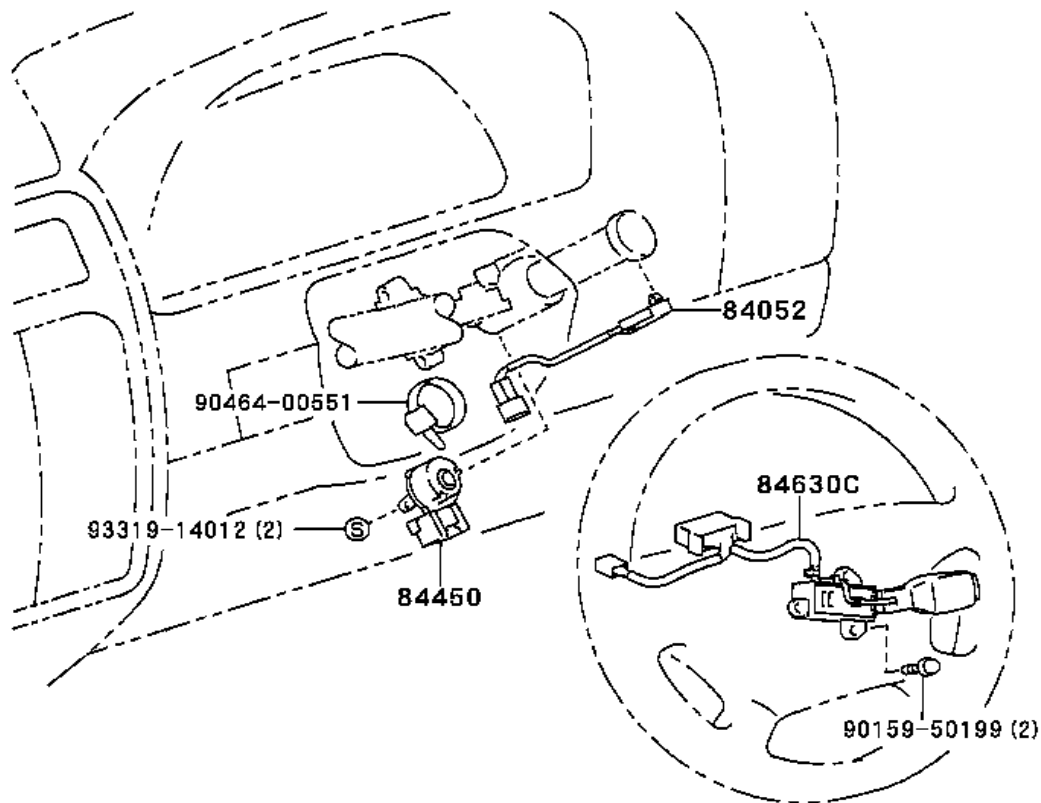


R/B

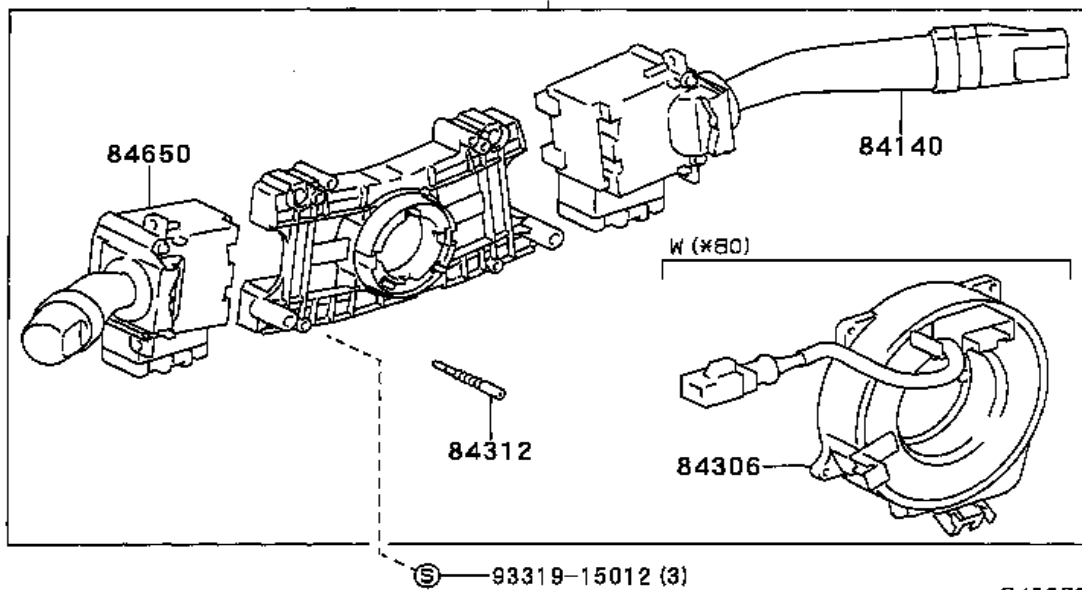




REFER TO
FIG 87-15
(PNC 89437D)



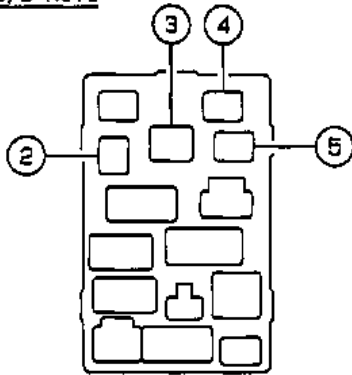
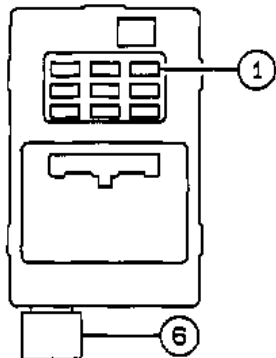
84310



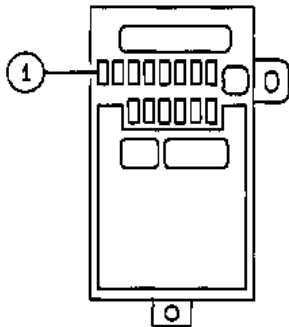
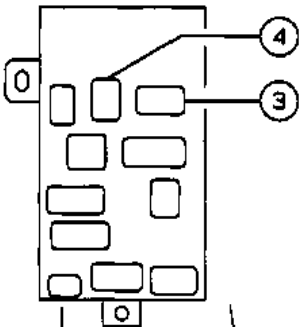
(-9906)

J/B NO.1

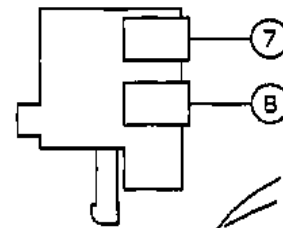
R/B NO.4



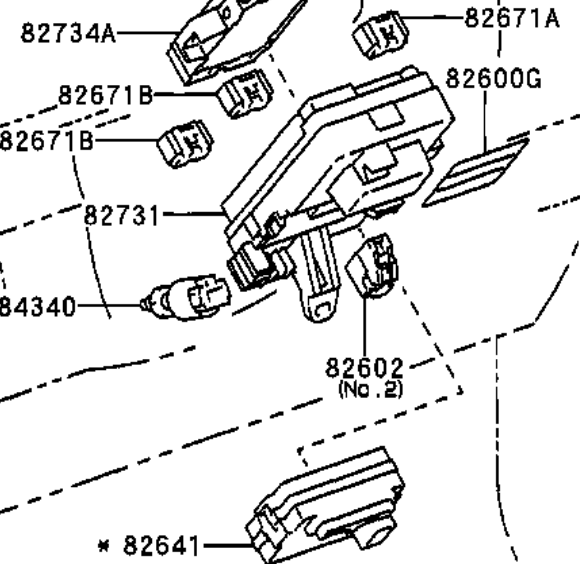
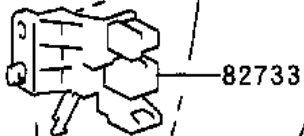
(9906-)



NO.	PNC	DSC
①	82600F	
②	86530	(-9906)
③	81980	
④	85930	
⑤	85912	(-9906)
⑥	REFER TO FIG 84-04 (PNC 85910A)	RZJ VZJ (-9906)
⑦	REFER TO FIG 84-05 (PNC 85915F)	KZJ
⑧	REFER TO FIG 84-04 (PNC 85910A)	RZJ VZJ (9906-)

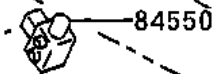


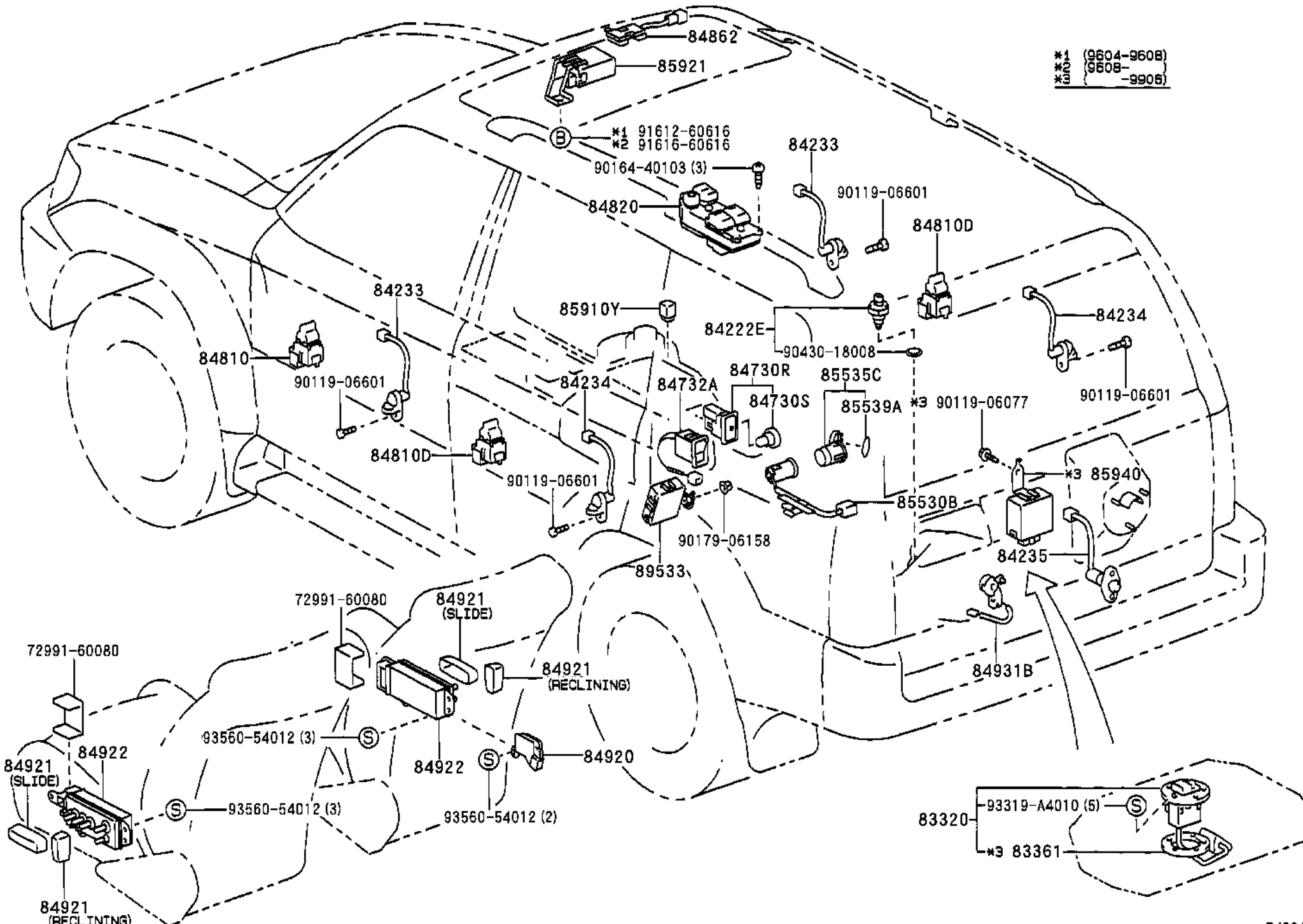
REFER TO FIG 82-02



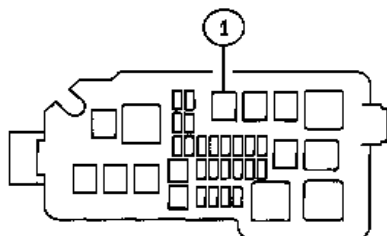
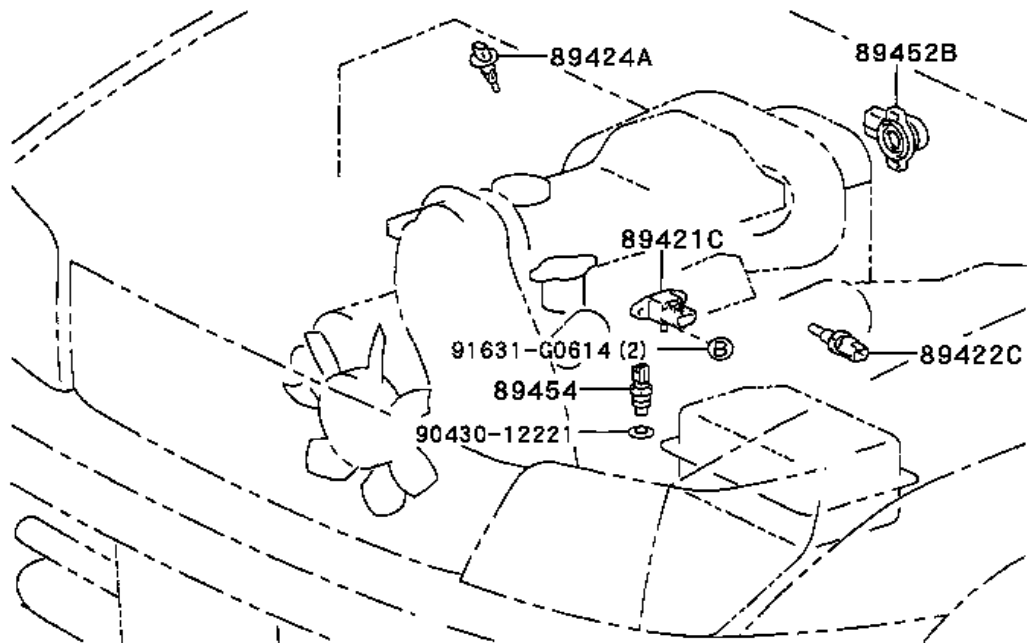
* (-9906)

93315-14012

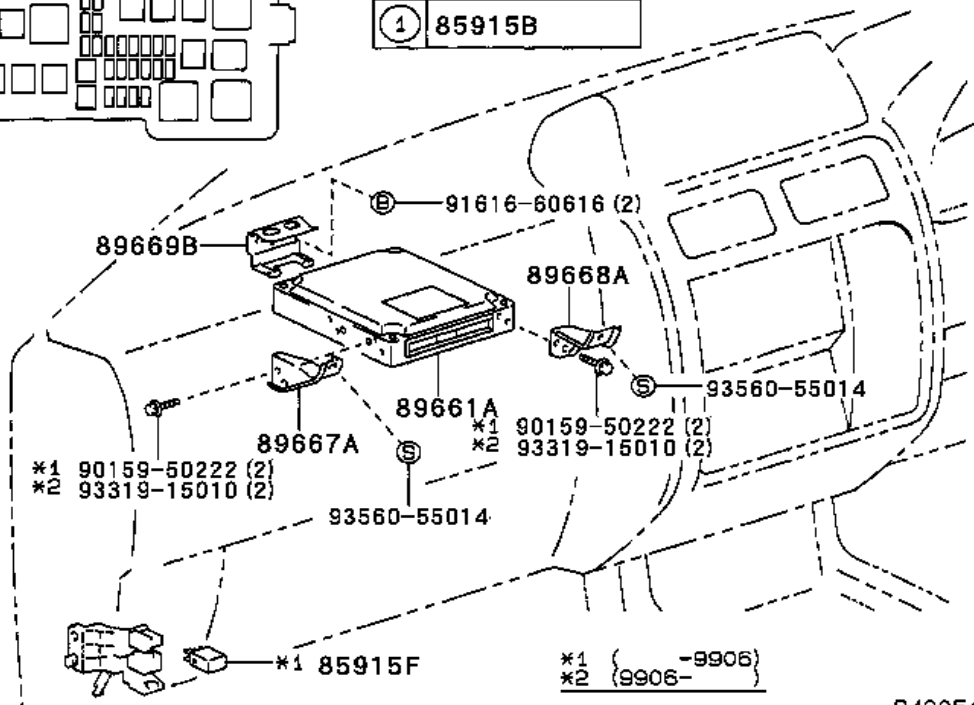


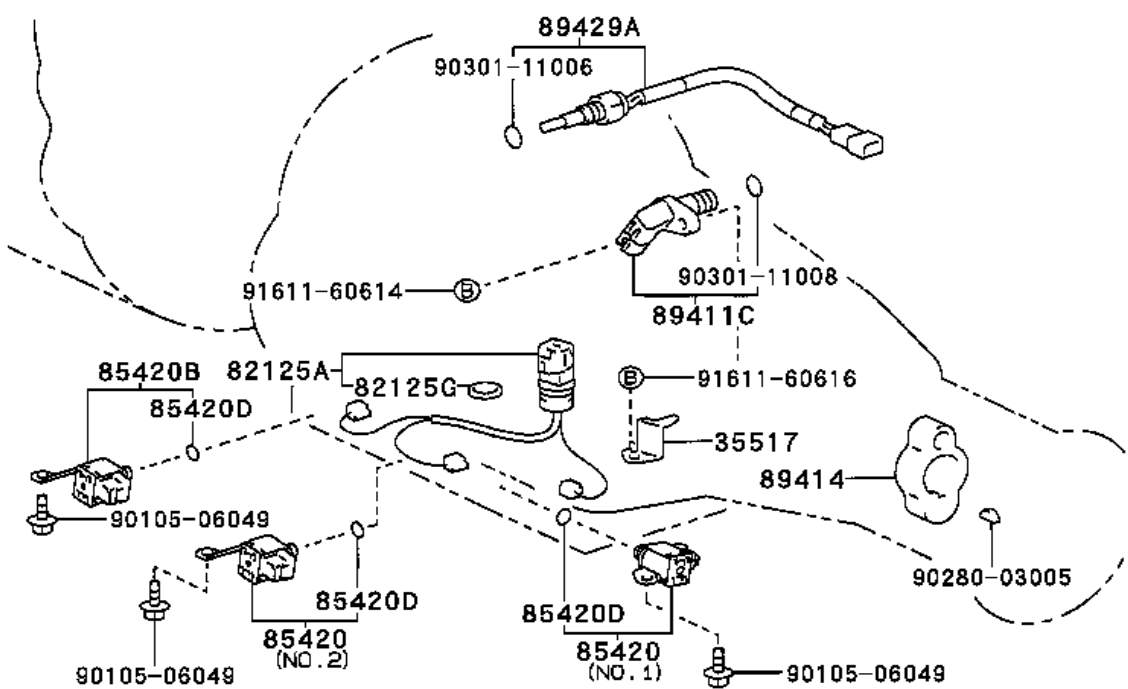
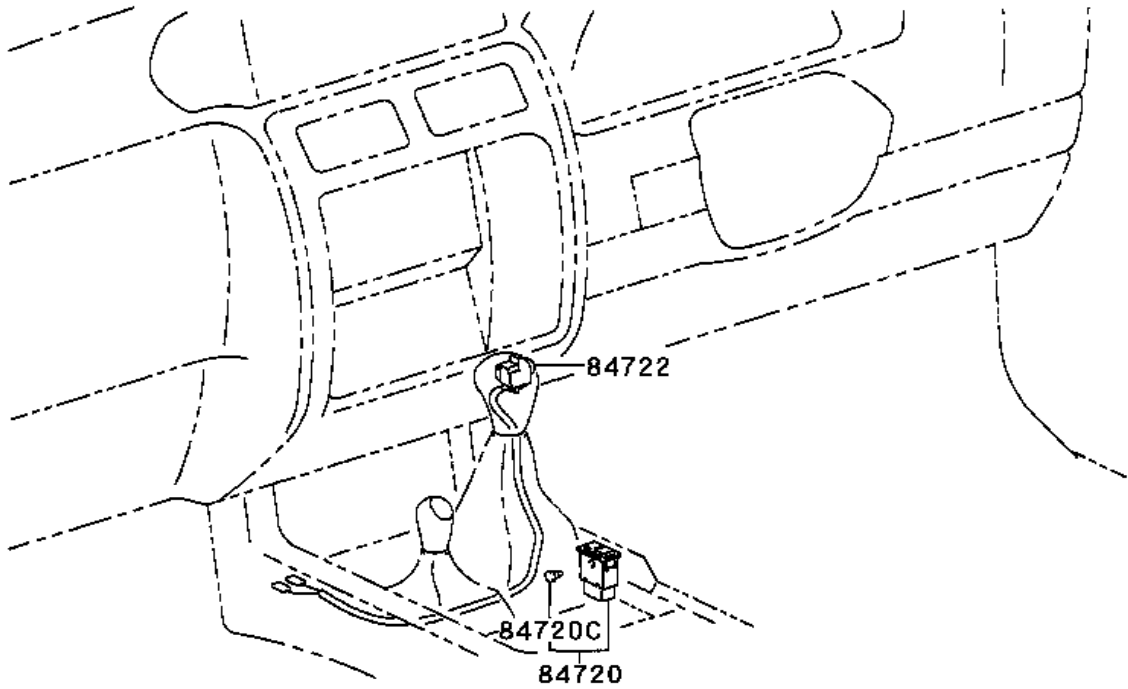


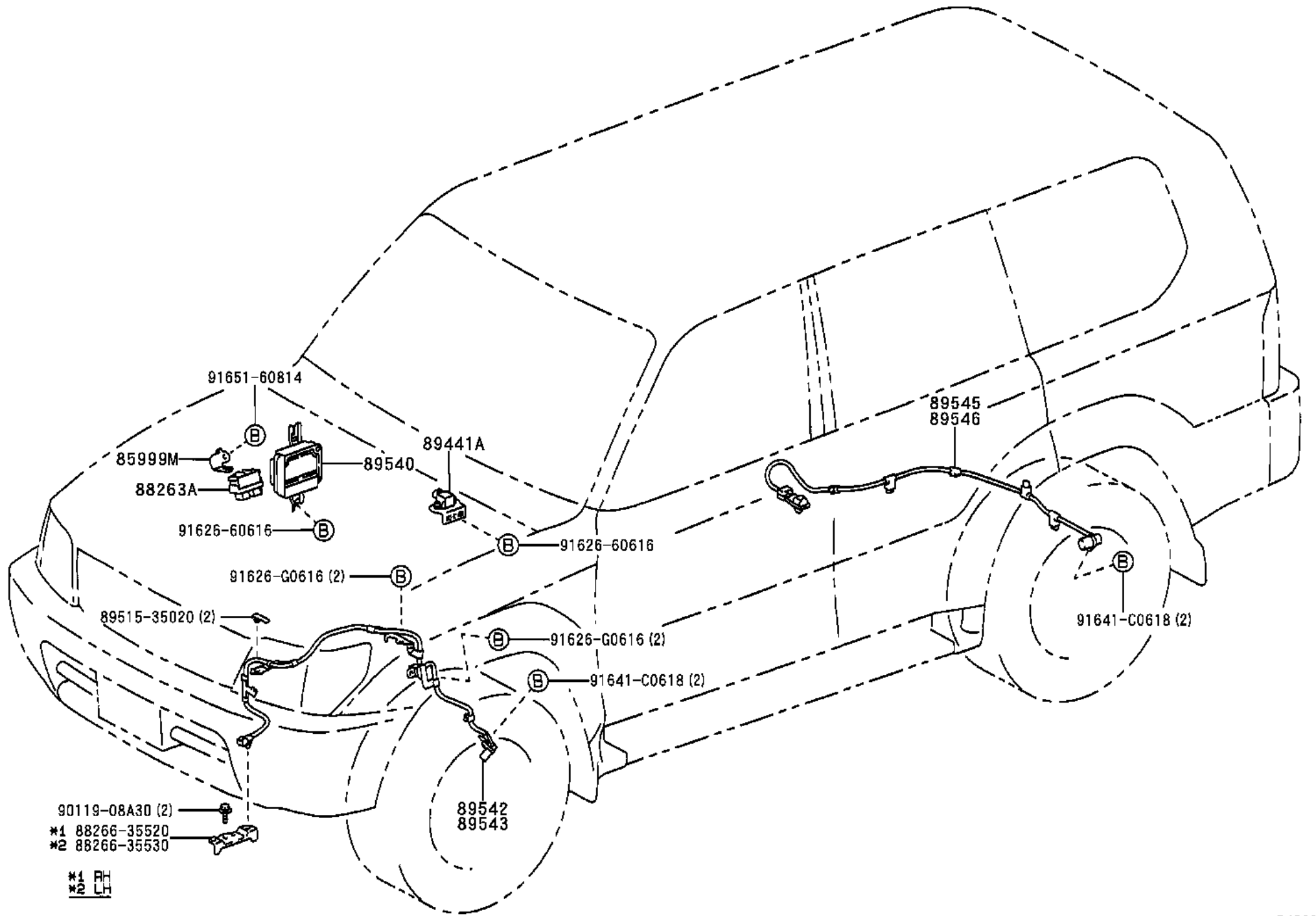
*1 (9604-9608)
 *2 (9609-9613)
 *3 (9614-9618)



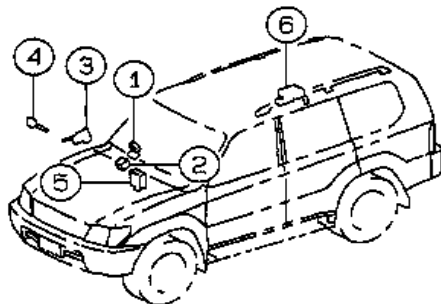
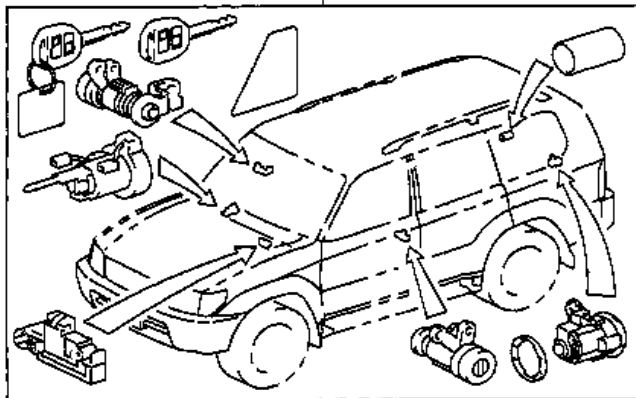
NO.	品名コード
①	85915B



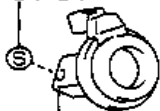




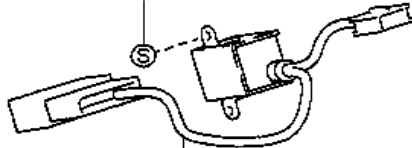
*1 RH
 *2 LH



① COIL

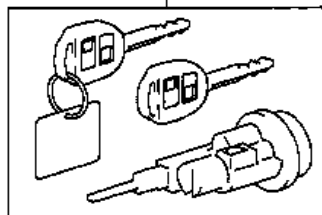
REFER TO
FIG 84-24REFER TO
FIG 84-24
(PNC 89783)

② AMP

REFER TO
FIG 84-24REFER TO
FIG 84-24
(PNC 89783)

③ IG KEY CYLINDER SET

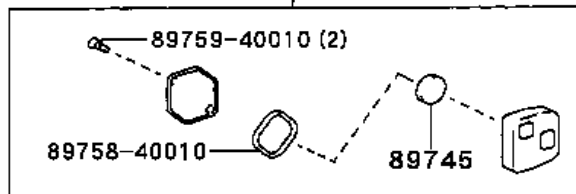
89073A



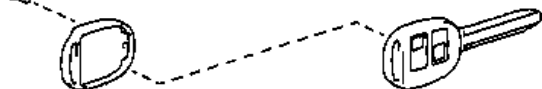
④ TRANSMITTER

89070

89071



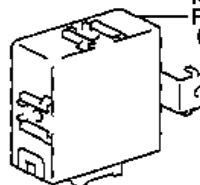
89759-40020



SUB

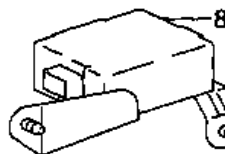
REFER TO
FIG 84-24
(PNC 89786)

⑤ ECU

REFER TO
FIG 84-24
(PNC 89780)REFER TO
FIG 84-24

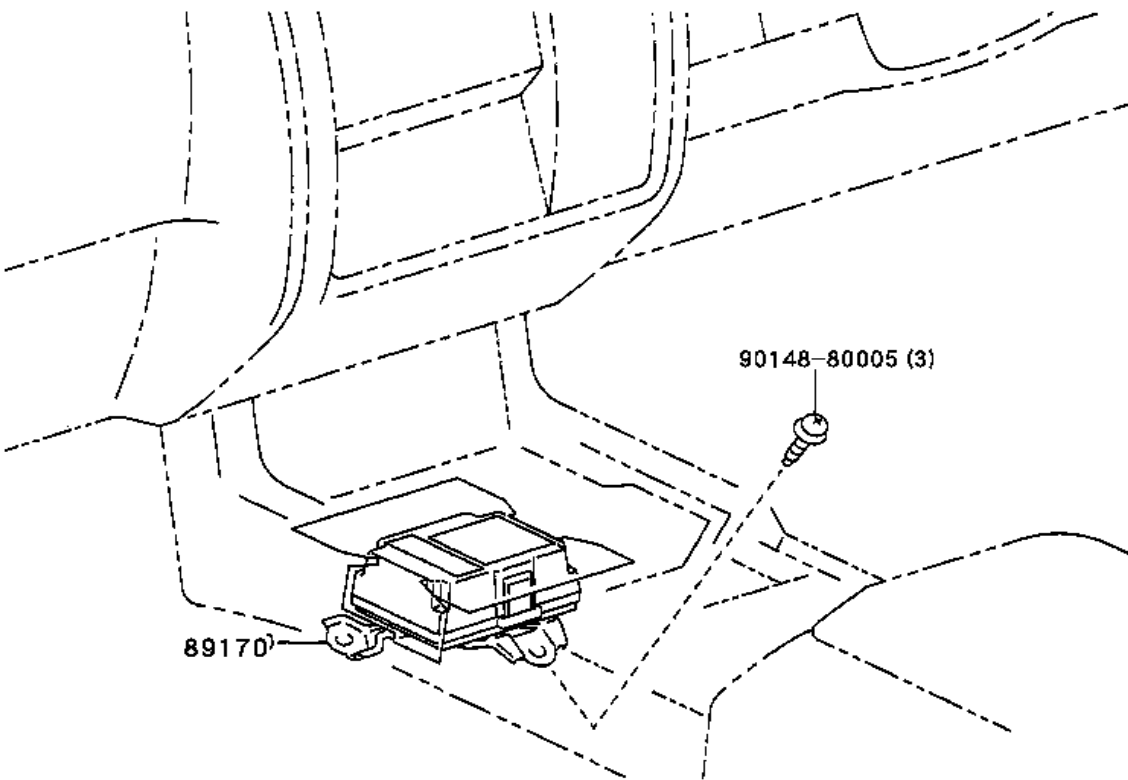
⑥

89741

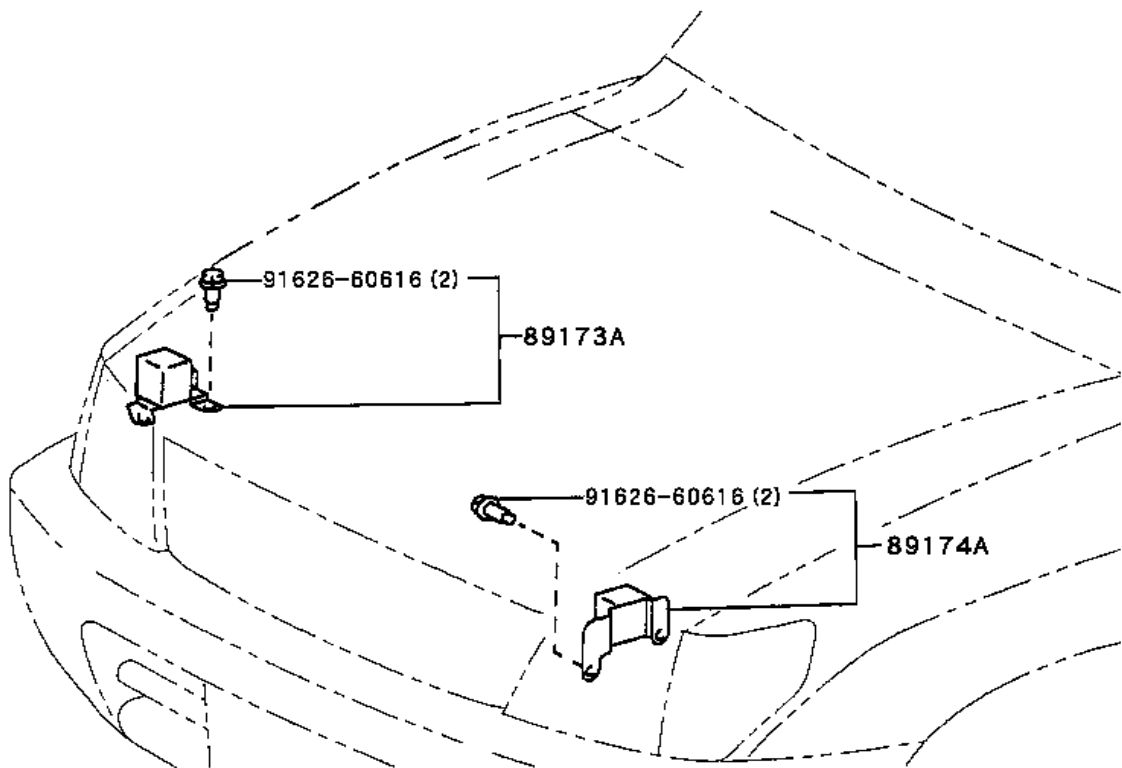


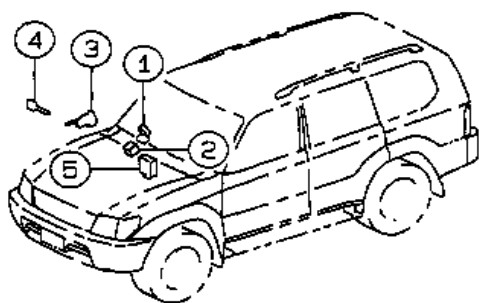
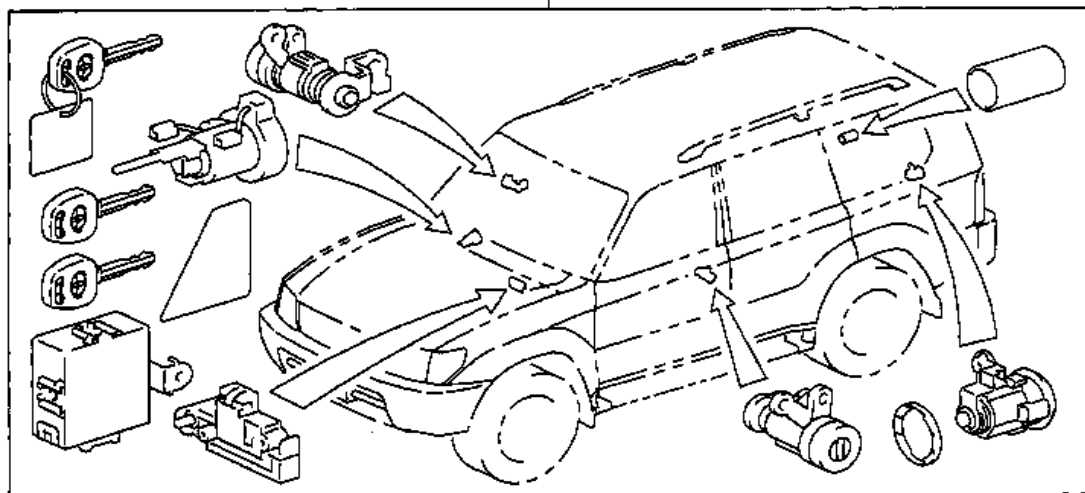
90179-06009 (2)



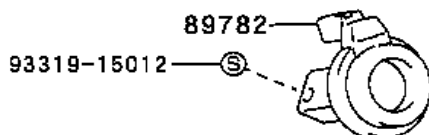


TYPE A	TYPE B
MARKED 89170-35020	MARKED 89170-35040





① COIL

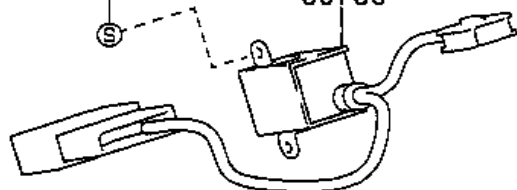


② AMP

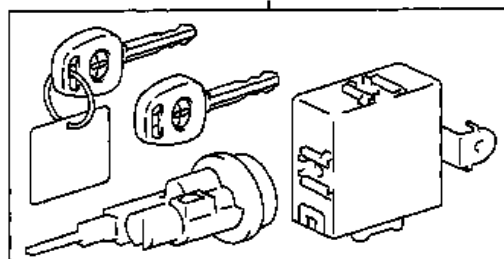
③ IG KEY CYLINDER SET

93319-14012 (2)

89783



89703



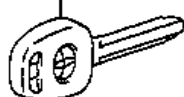
④ TRANSMITTER

⑤ ECU

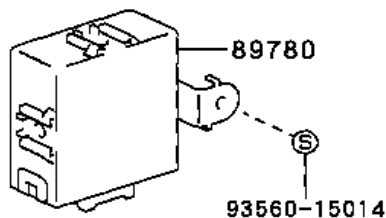
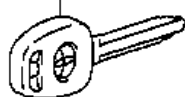
MASTER

SUB

89785

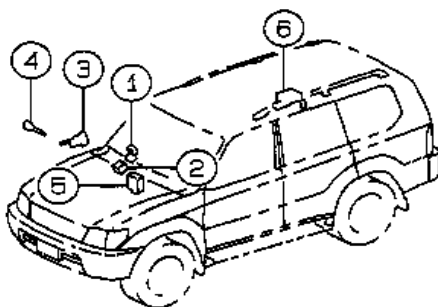
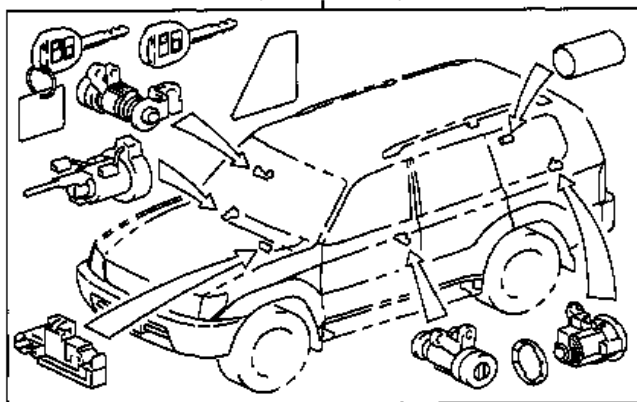


89786



93560-15014

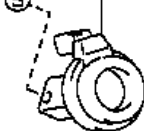
REFER TO
FIG 84-20
(PNC 89073)



① COIL

93319-15012

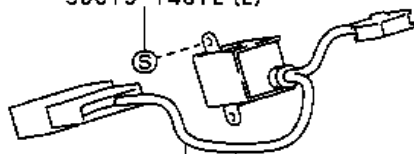
89782



② AMP

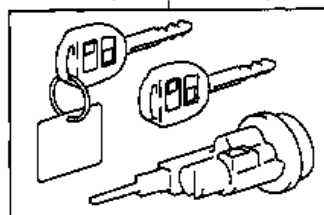
93319-14012 (2)

89783



③ IG KEY CYLINDER SET

REFER TO
FIG 84-20
(PNC 89073A)



④ TRANSMITTER

REFER TO
FIG 84-20
(PNC 89070)

REFER TO
FIG 84-20
(PNC 89071)

REFER TO
FIG 84-20

REFER TO
FIG 84-20

REFER TO
FIG 84-20
(PNC 89745)

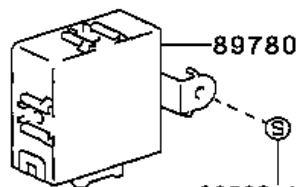
REFER TO
FIG 84-20

SUB

89786



⑤ ECU



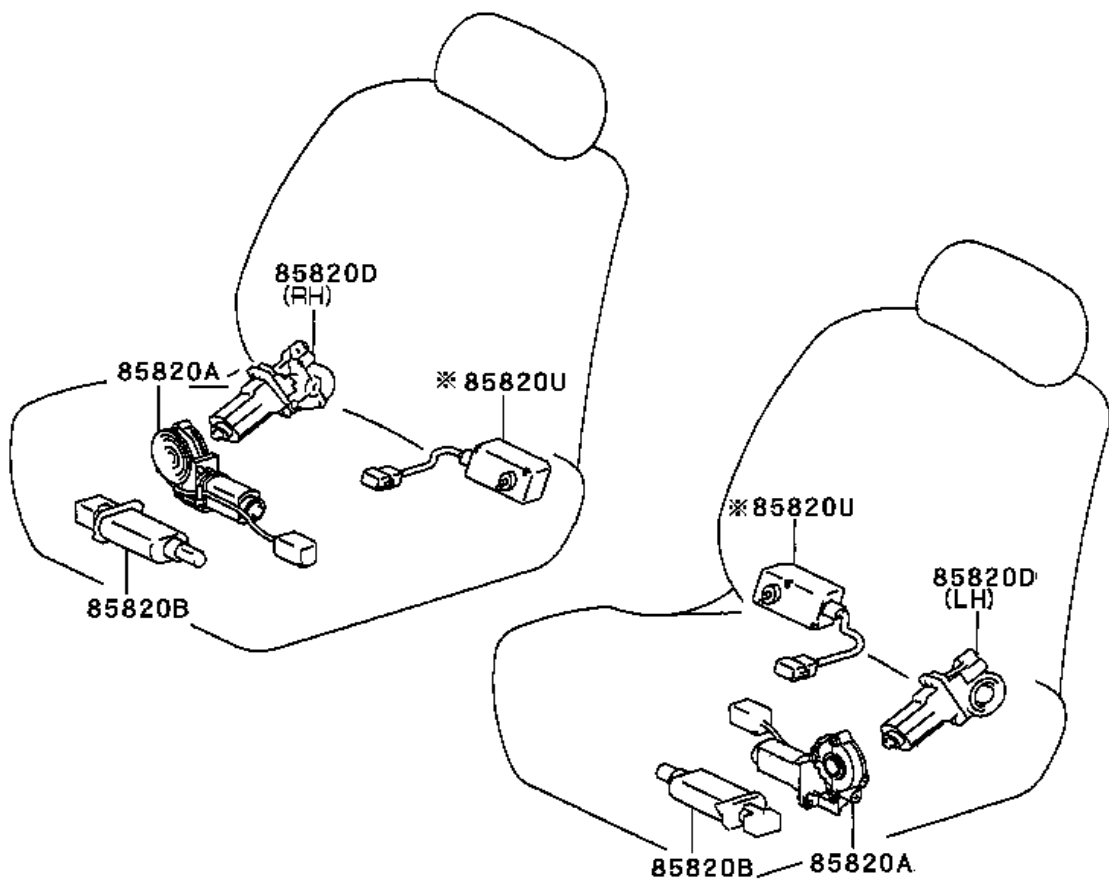
93560-15014

⑥

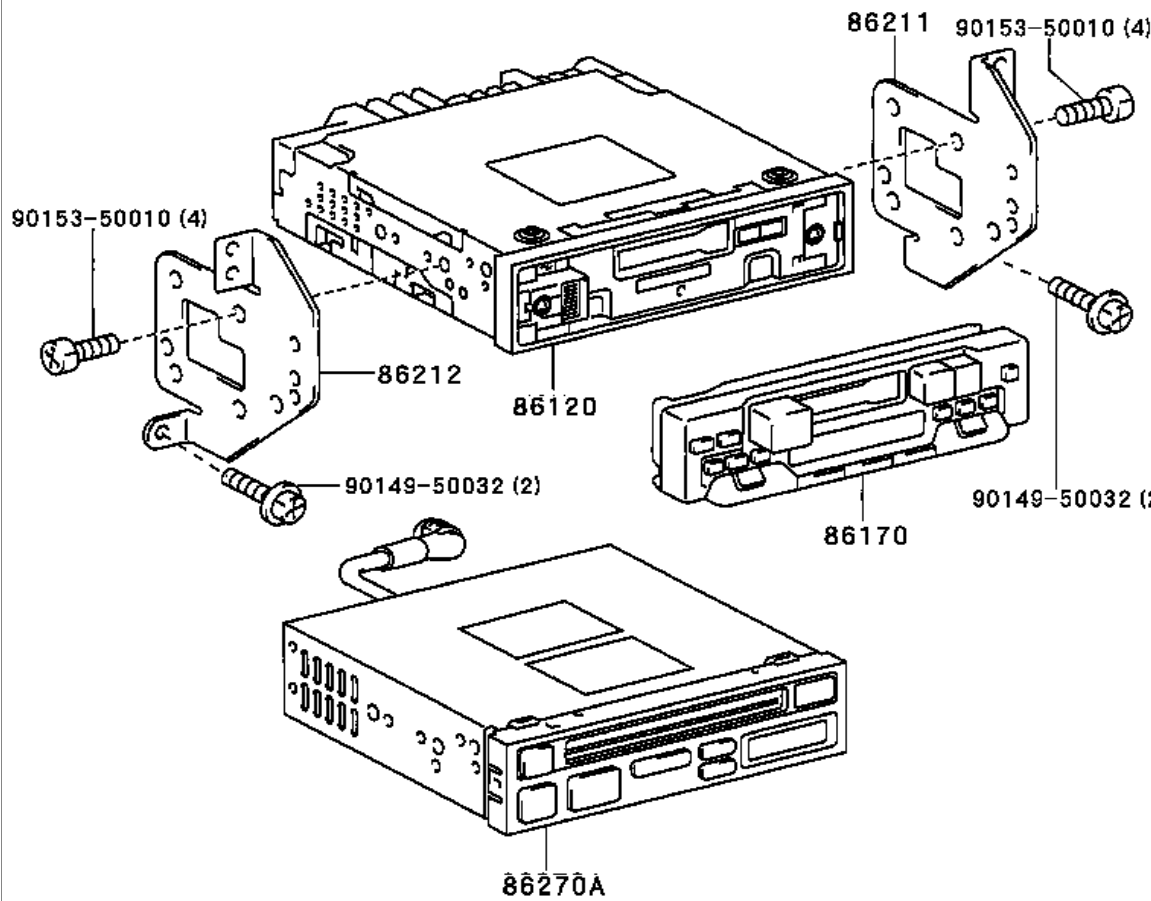
REFER TO
FIG 84-20
(PNC 89741)



REFER TO
FIG 84-20

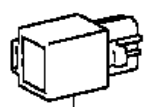


* DRIVERS SEAT ONLY

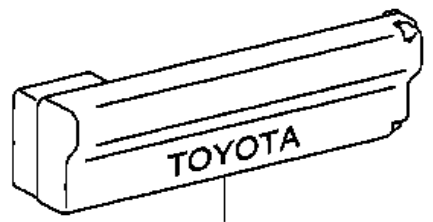


CONDENSER

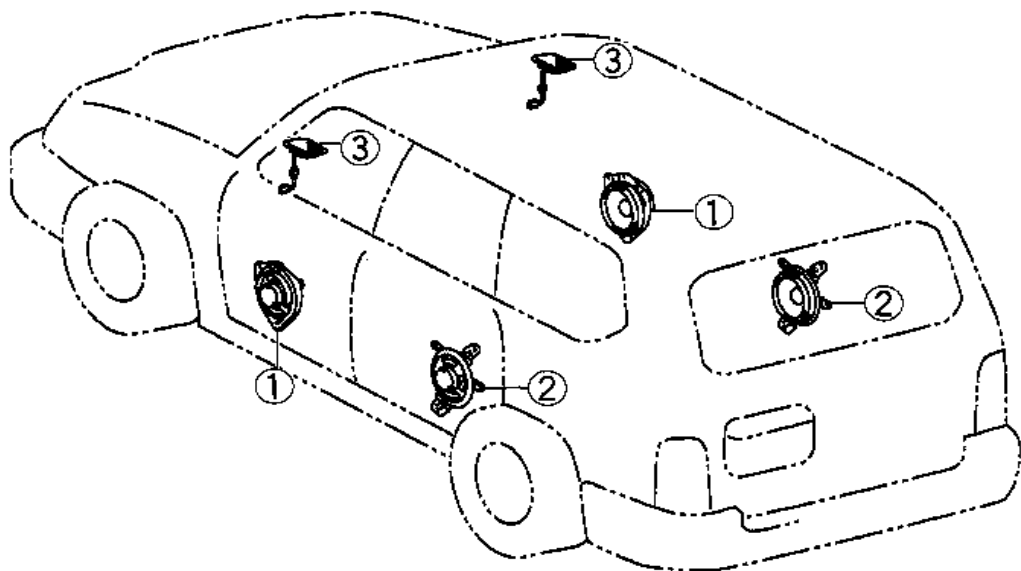
CASE



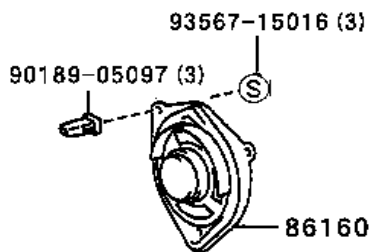
86011A



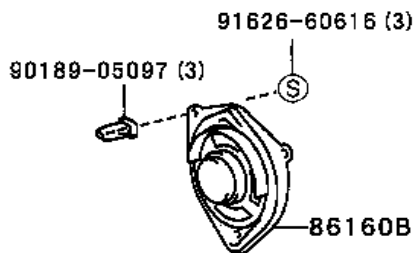
86174



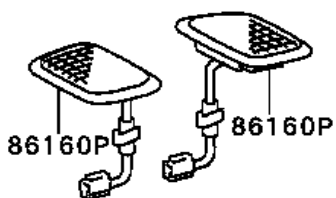
①



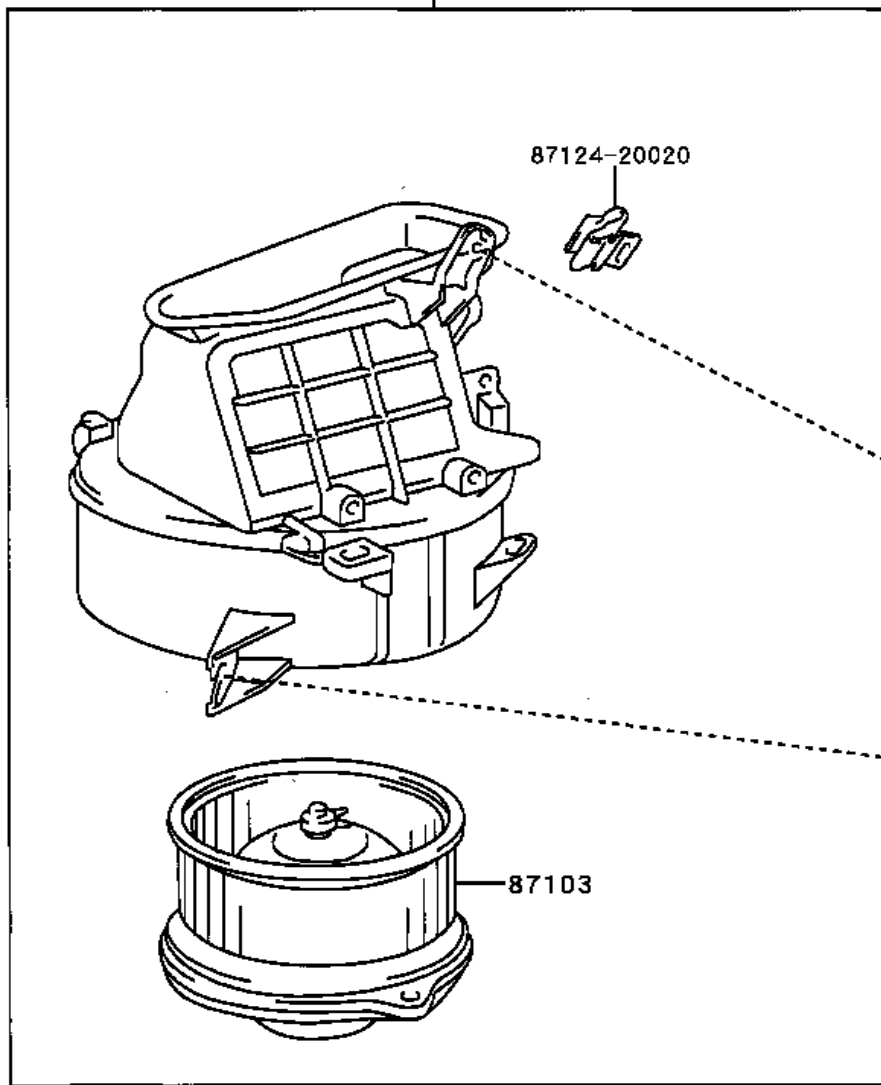
②



③



87130



87124-20020

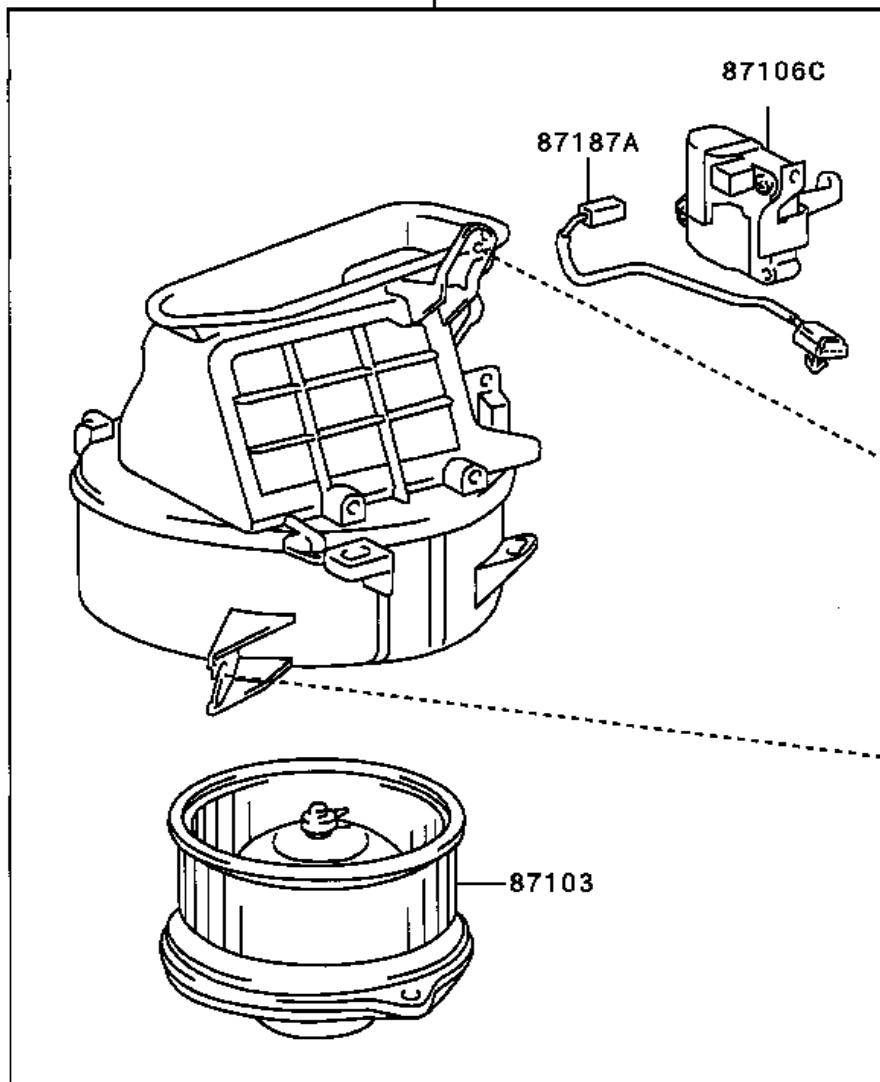
90179-06069

87103

90119-06446 (2)

870005

87130



87106C

87187A

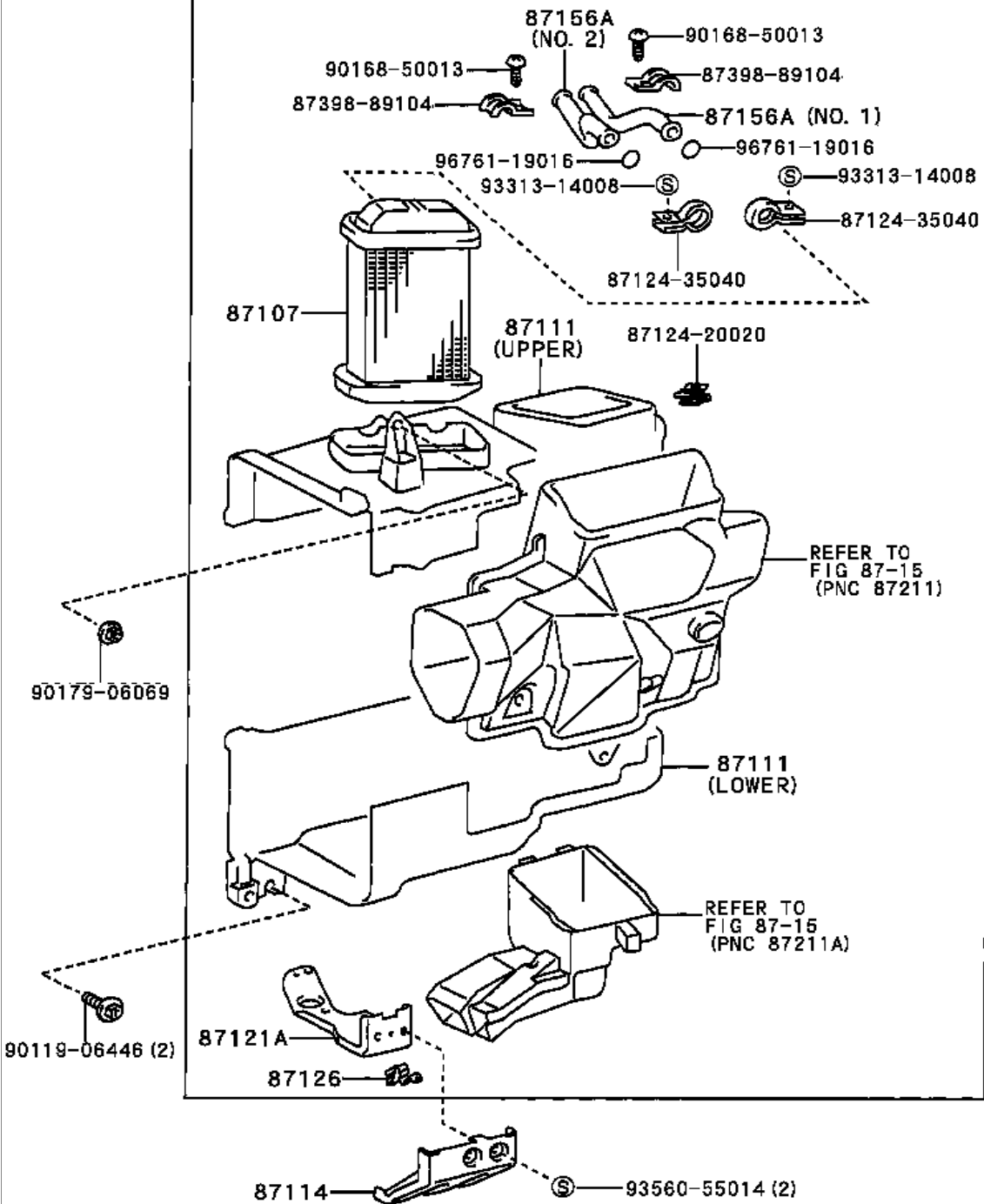
90179-06069

87103

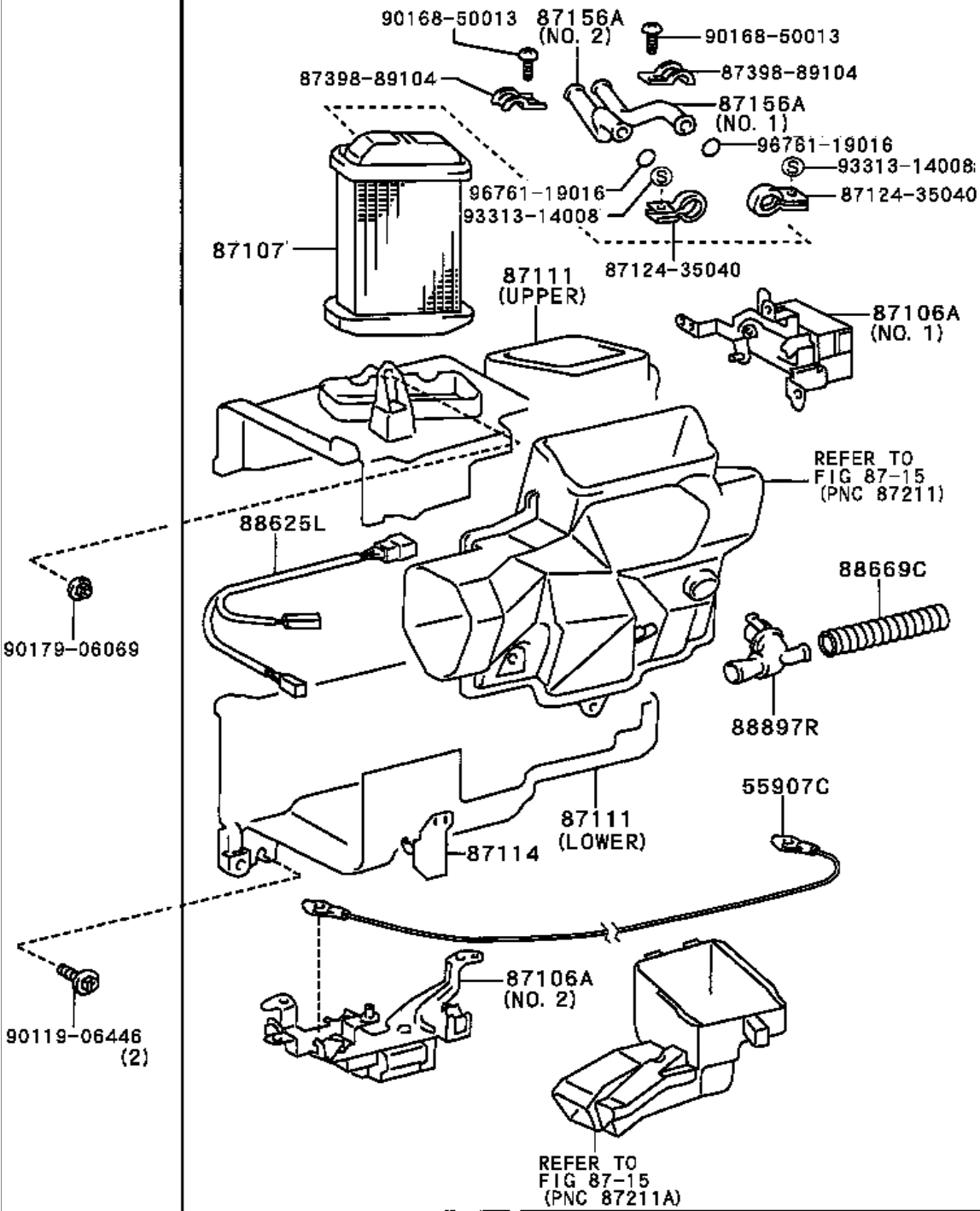
90119-06446 (2)

870001

87150



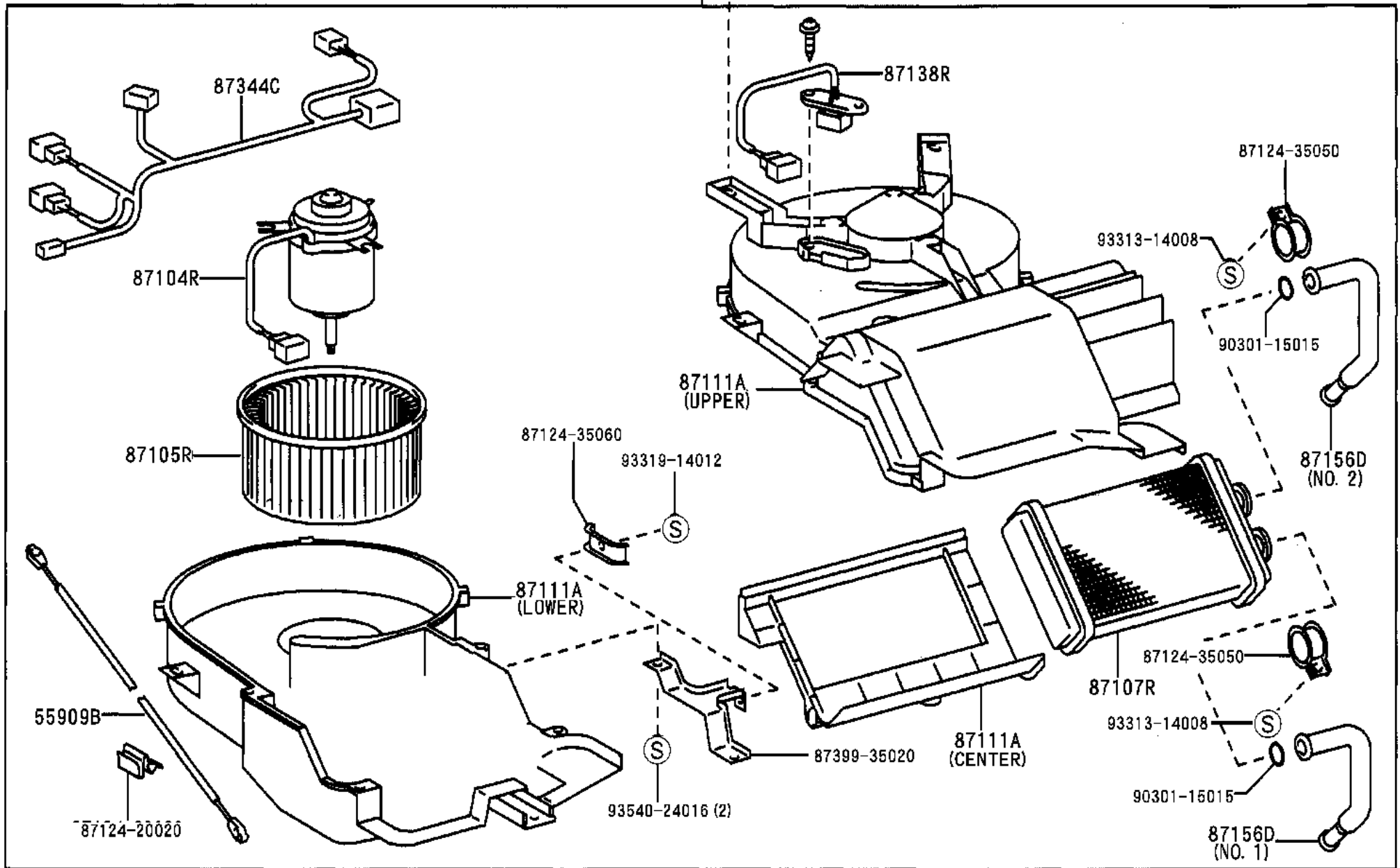
87150



93560-15012 (3)

90480-01674

87120



RHD

90480-15033



90480-01677

90159-60195 (3)



90480-21007

88510

90099-00968 (3)

88502

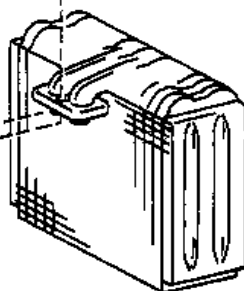
88569-20160 (2)

90099-04381 (2)

88515

87116A

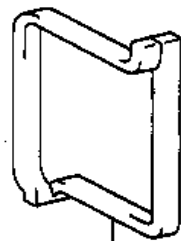
88578V



88501

90099-00698

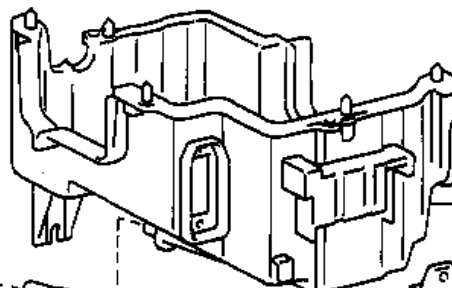
88710A



88578C

88578B

88626A



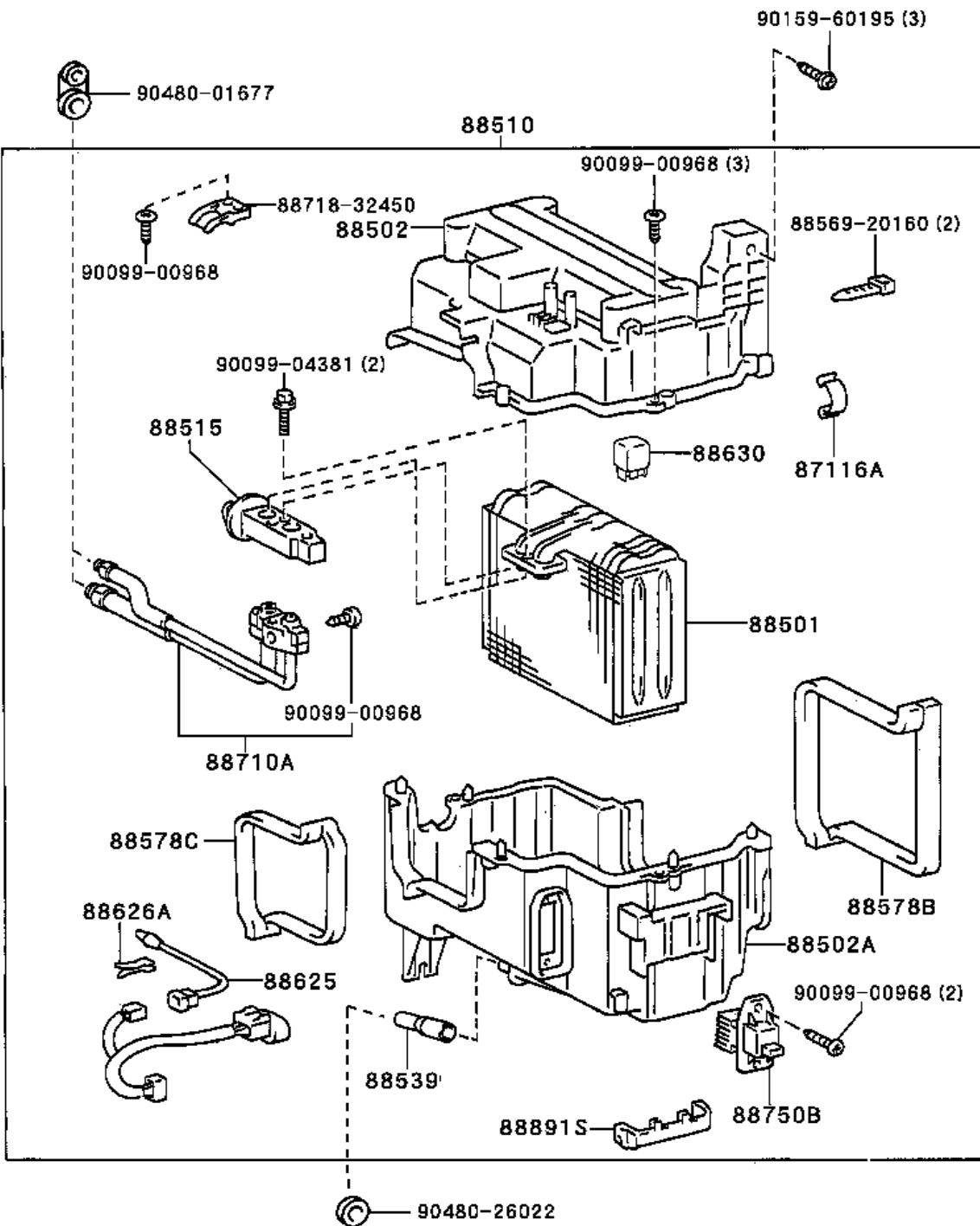
※1 88502A

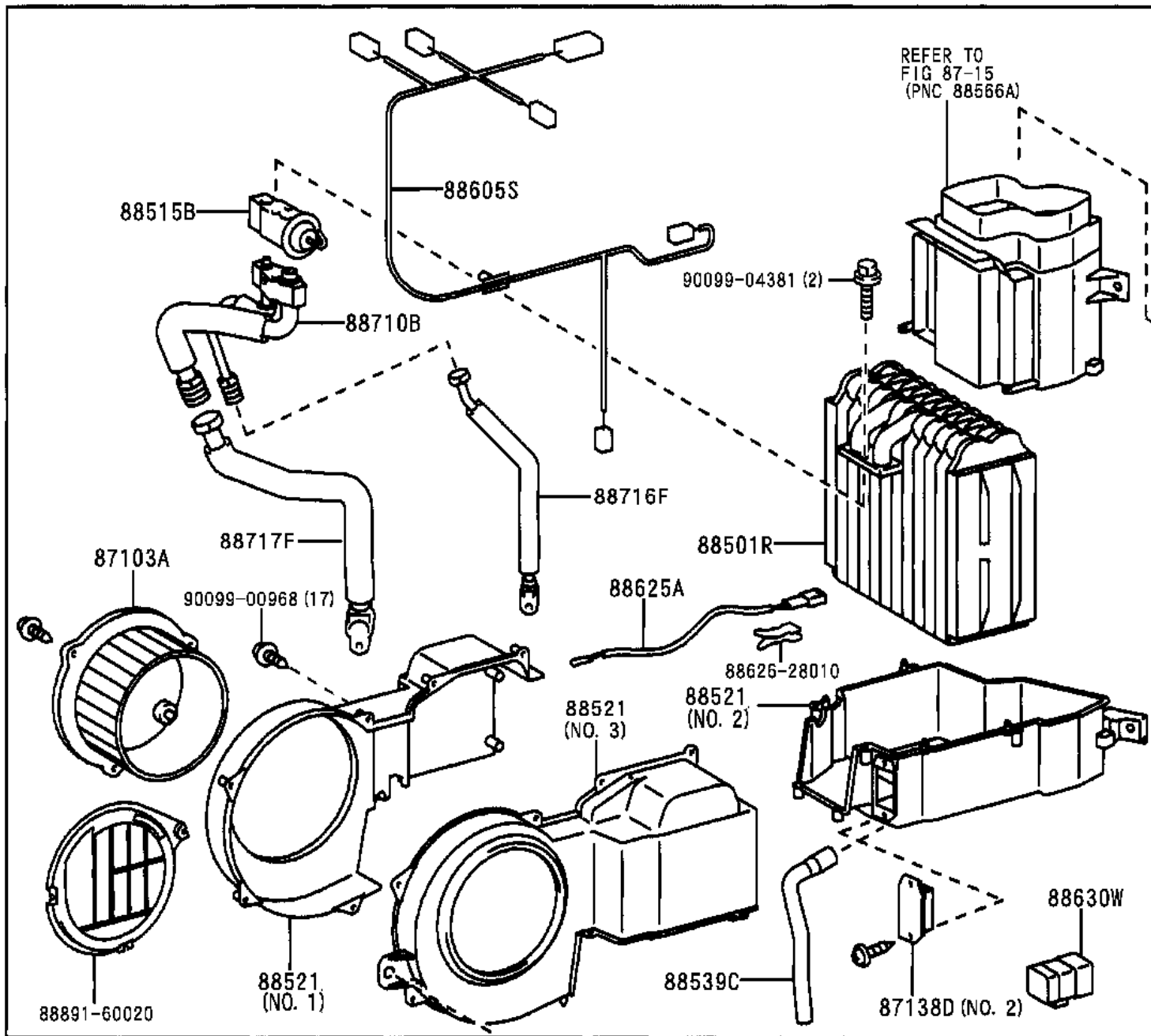
90099-00968 (2)

90480-26022

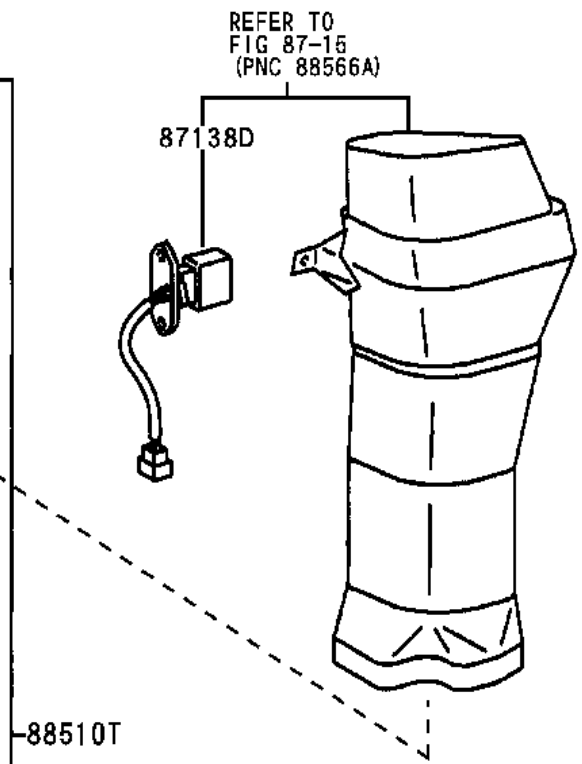
※1 SINGLE AIR CONDITIONER

870551-C



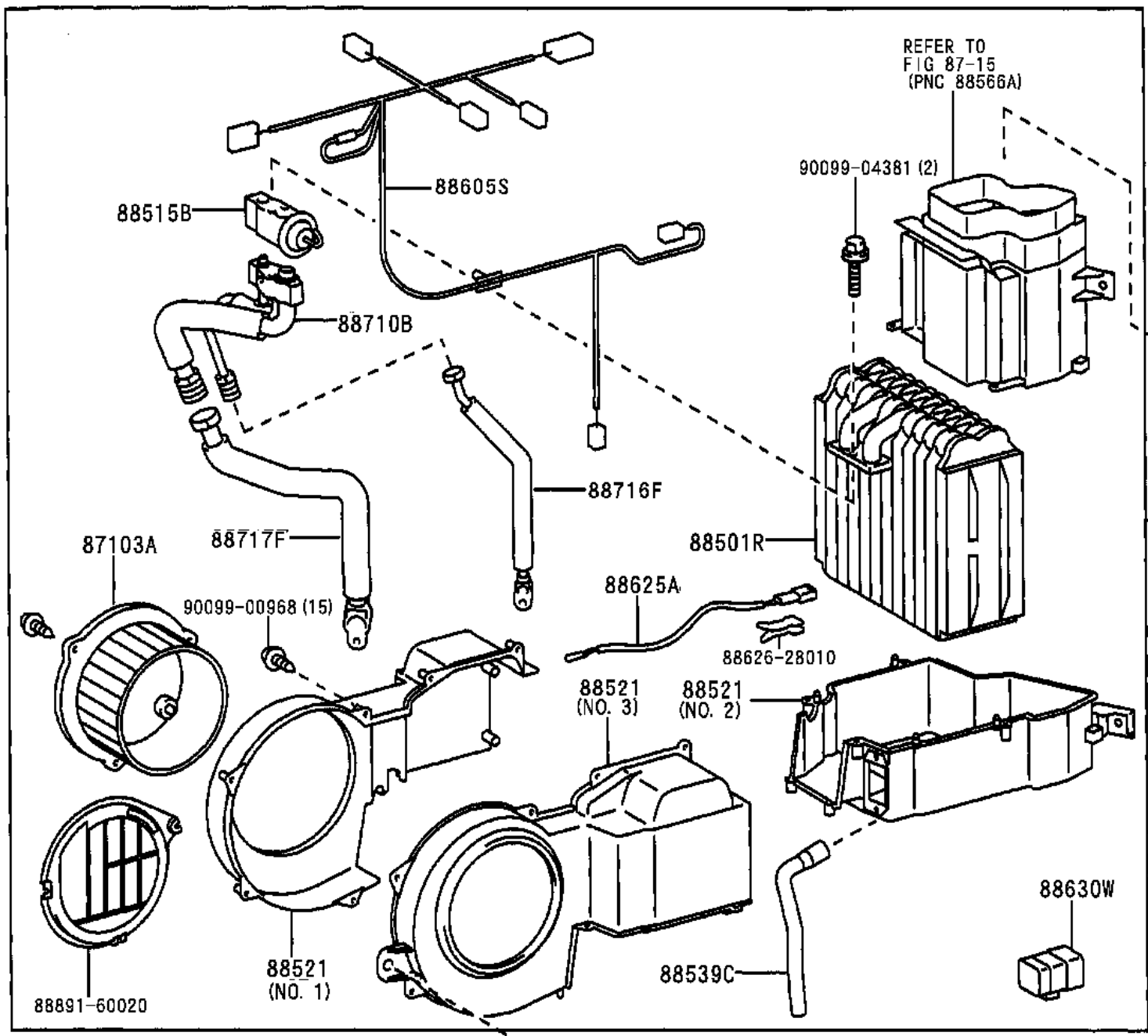


(B) 91626-60616 (3)

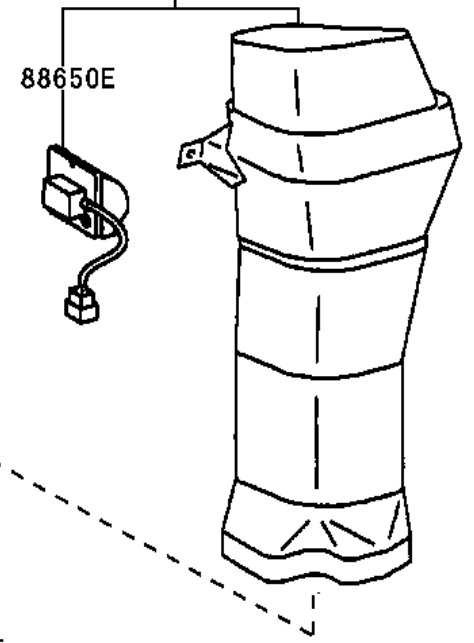


REFER TO FIG 87-15 (PNC 88566A)

REFER TO
FIG 87-15
(PNC 88566A)



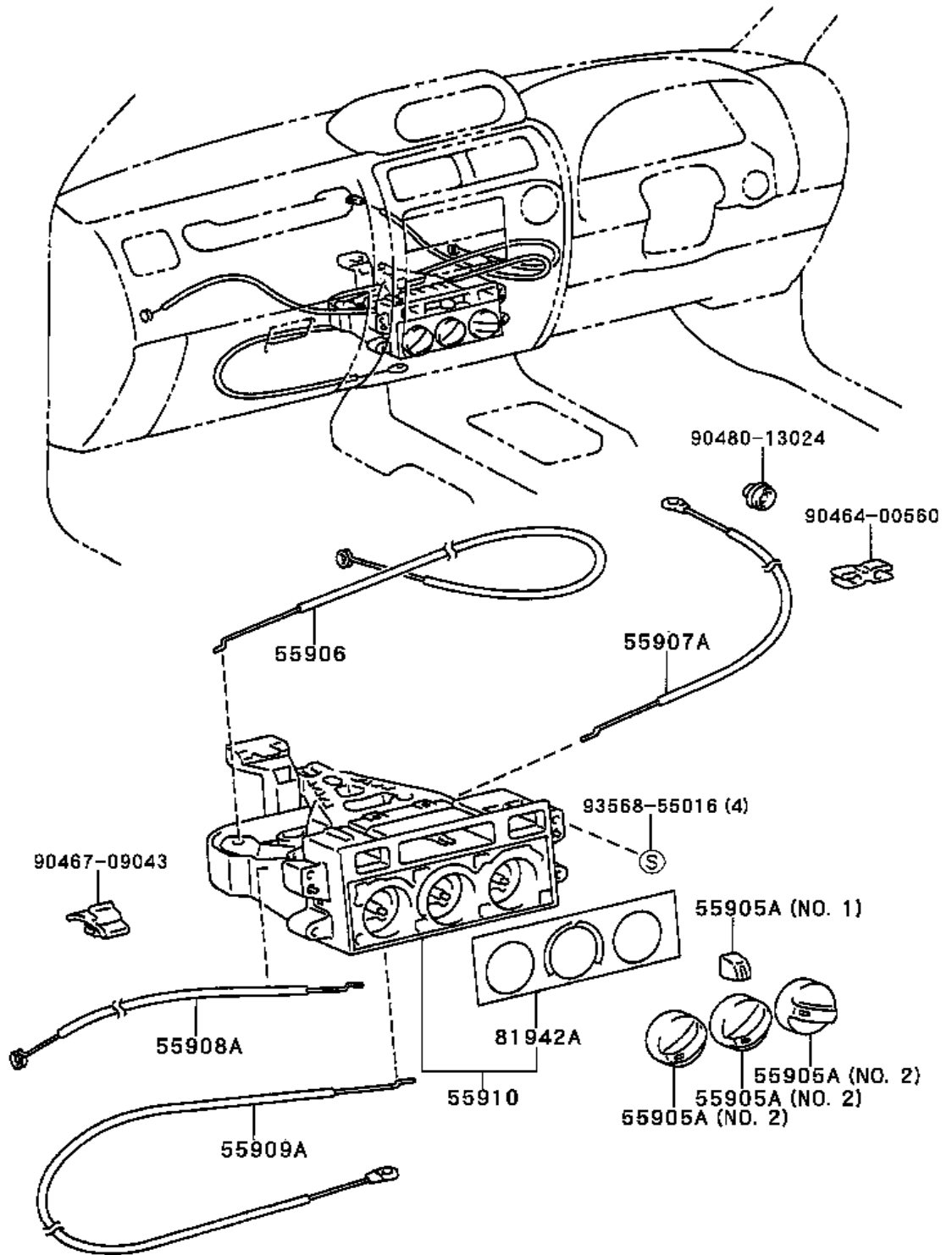
88510T

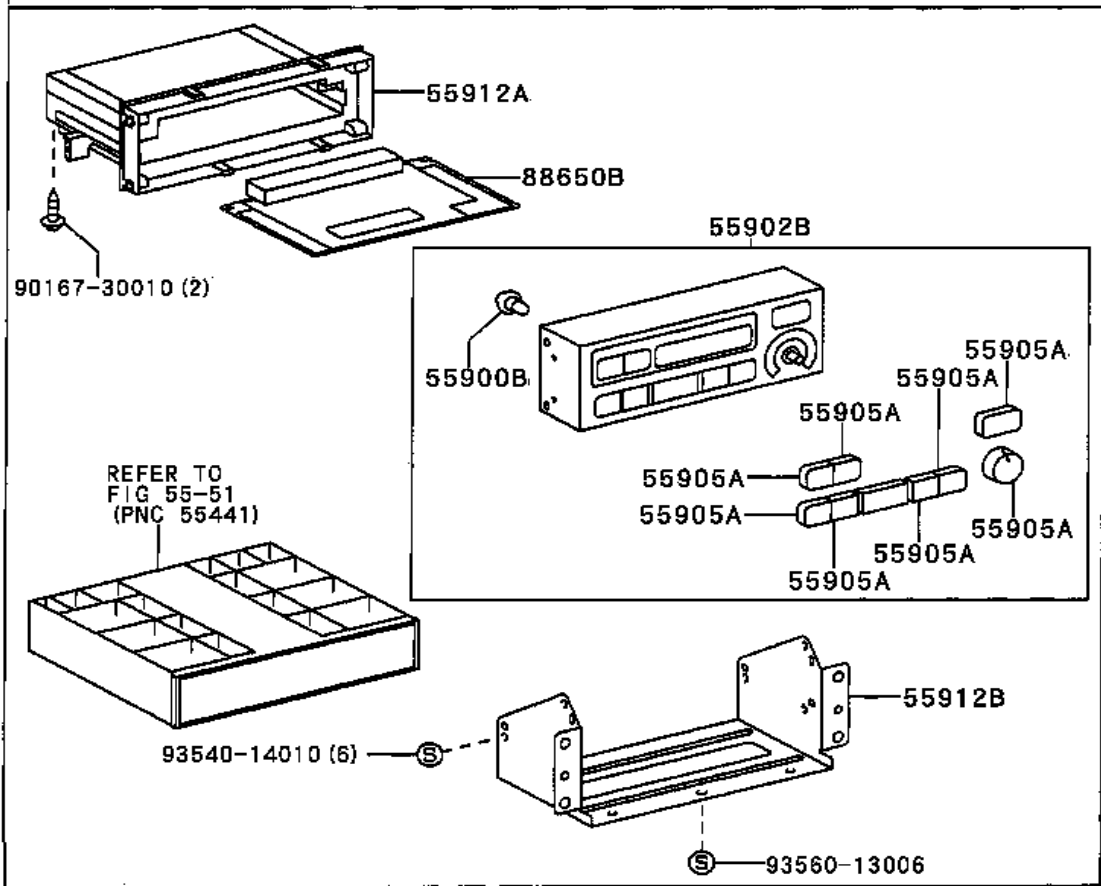
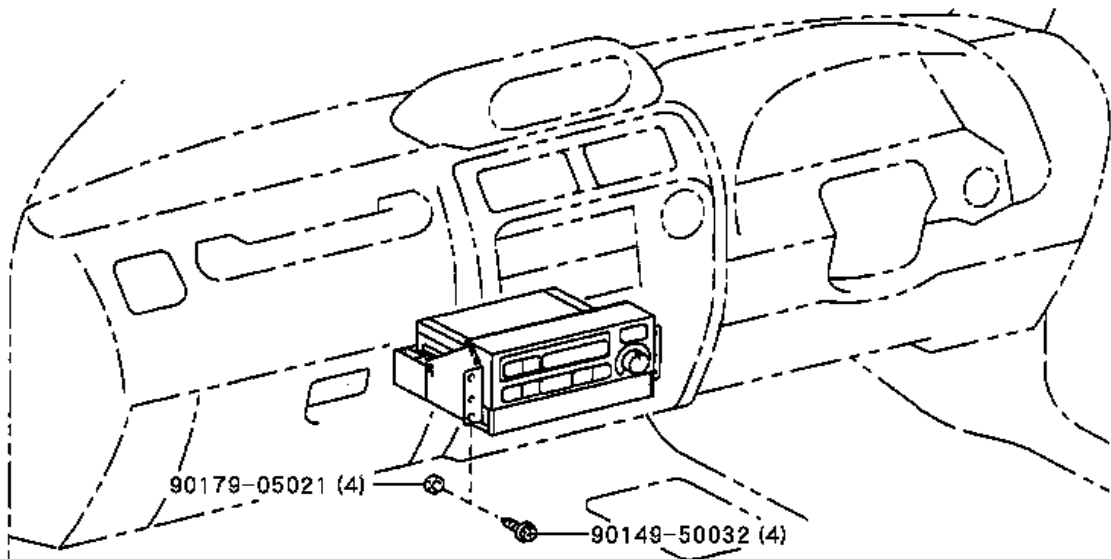


88650E

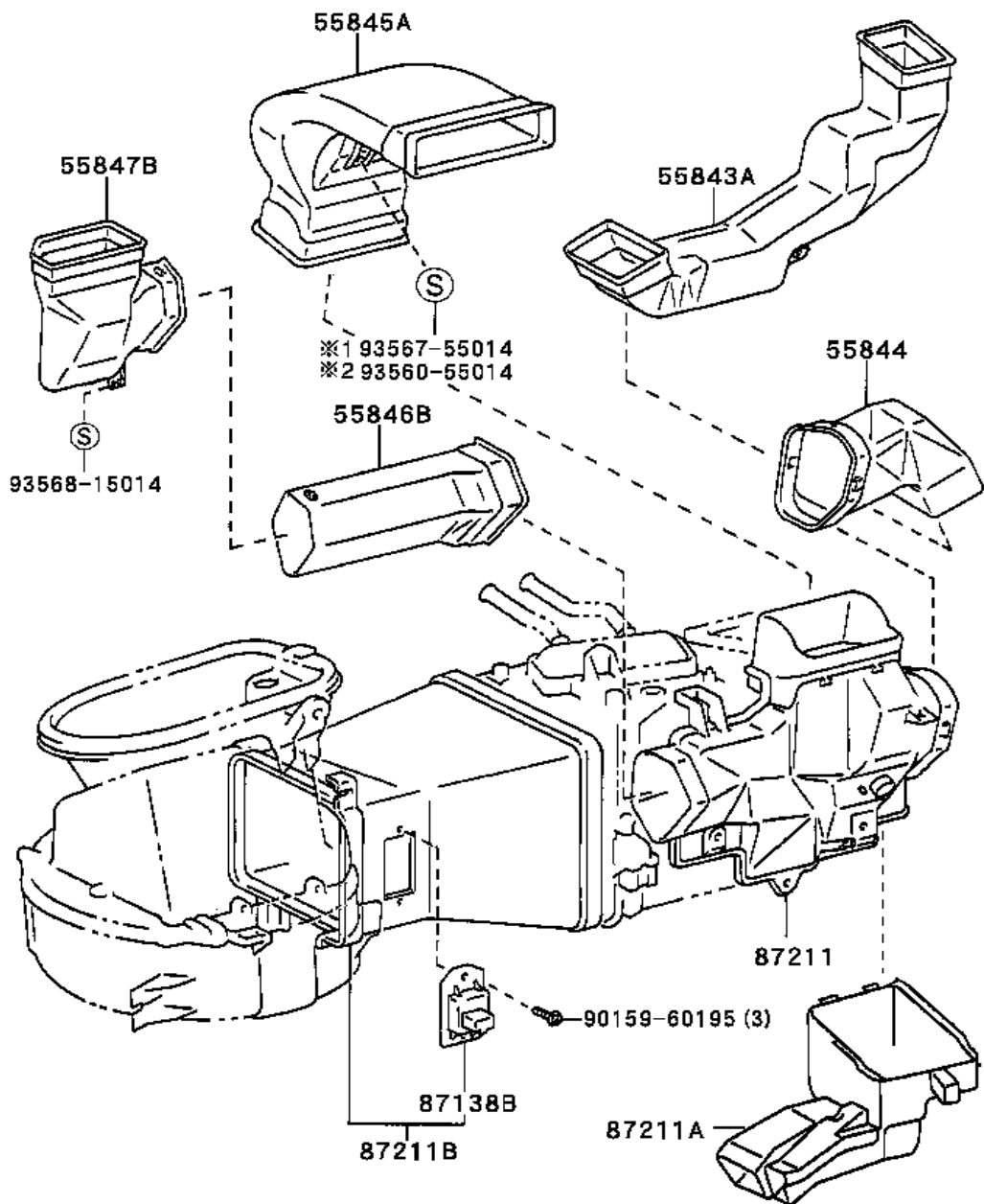
R134 (黒)
R134 (BLACK)

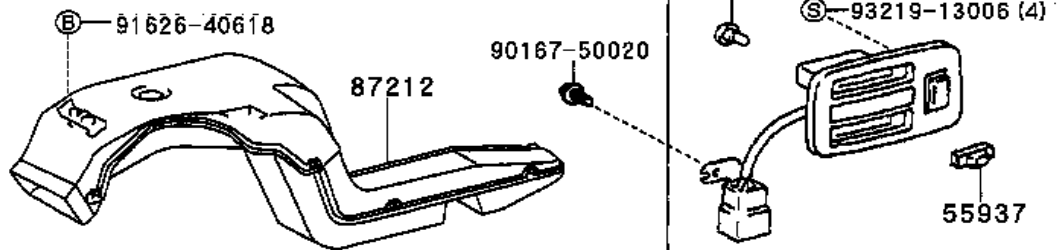
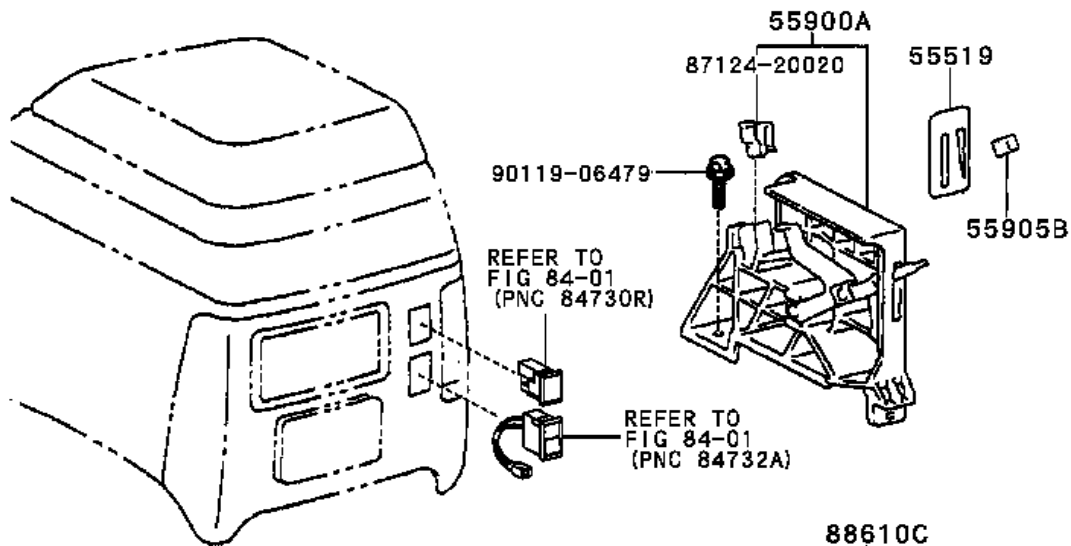
SIZE	品番	SIZE (mm)	
	PART NO.	ID	OD
1/2"	90099-14120	10.8	15.6
φ8	90099-14119	6.7	10.3
5/8"	90099-14121	13.4	18.2
M11	90099-14122	10.6	14.16

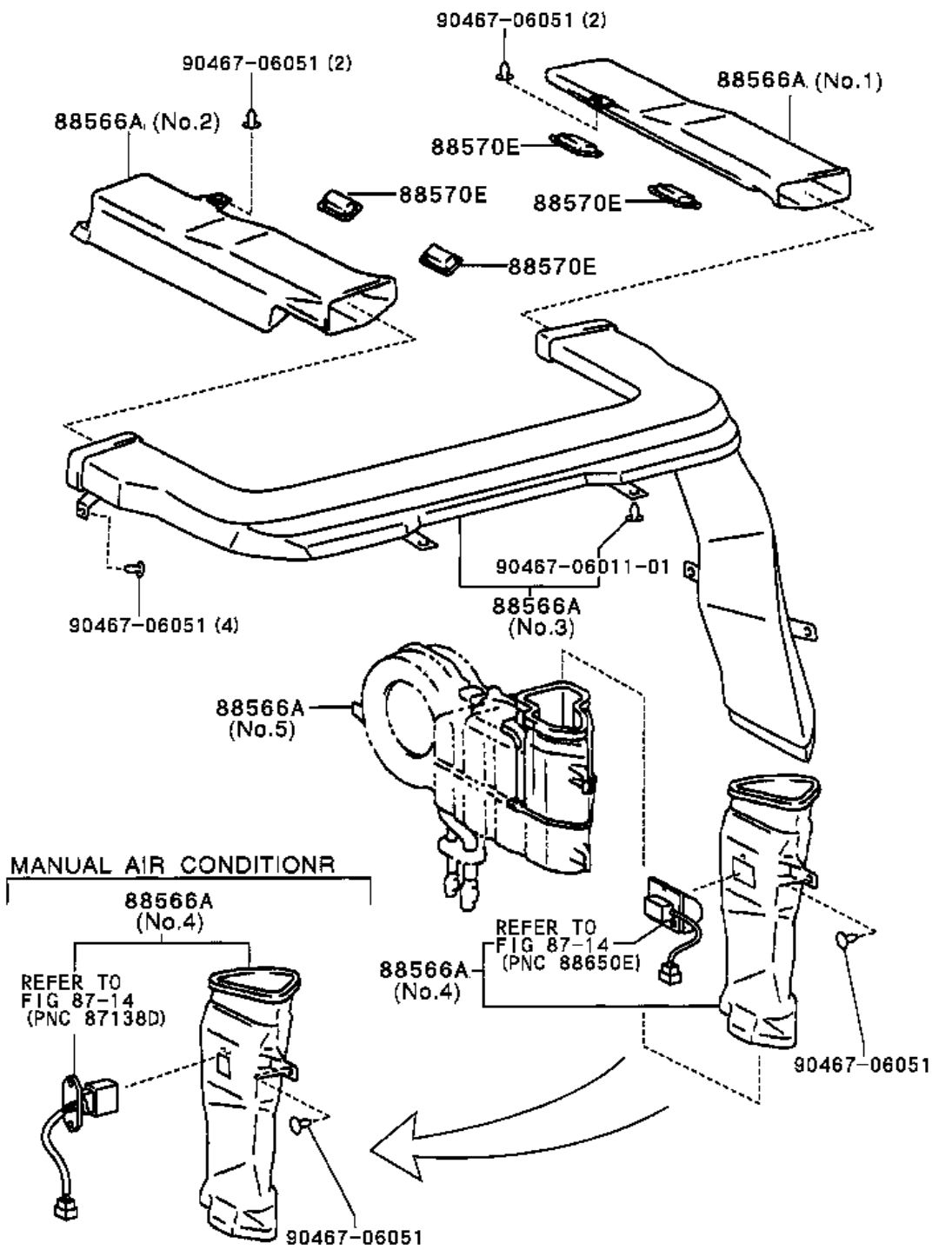


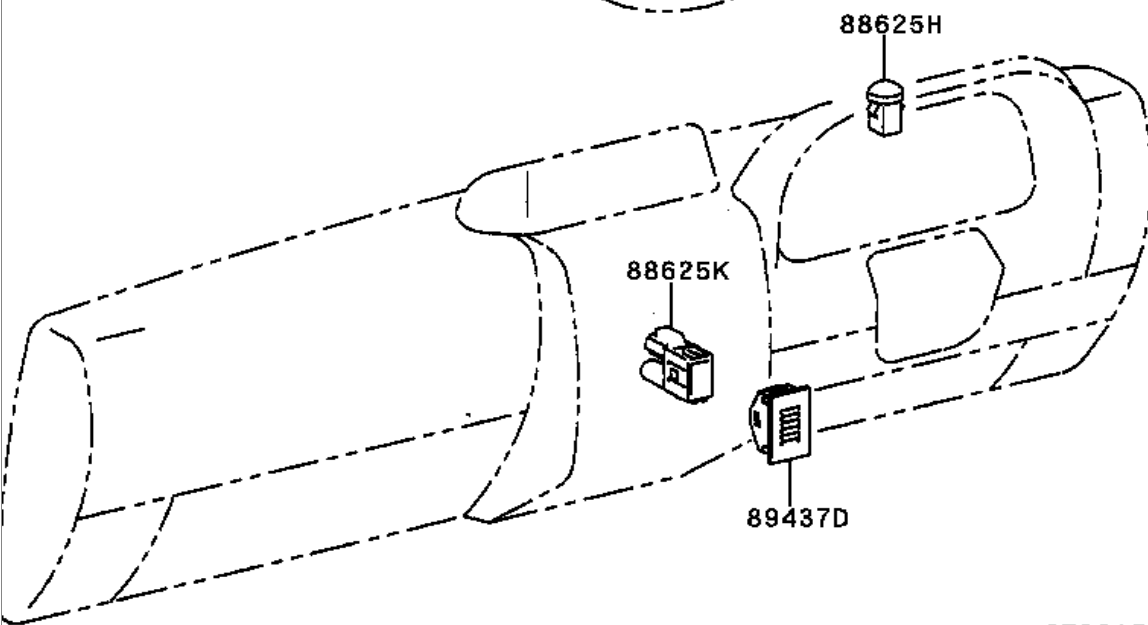
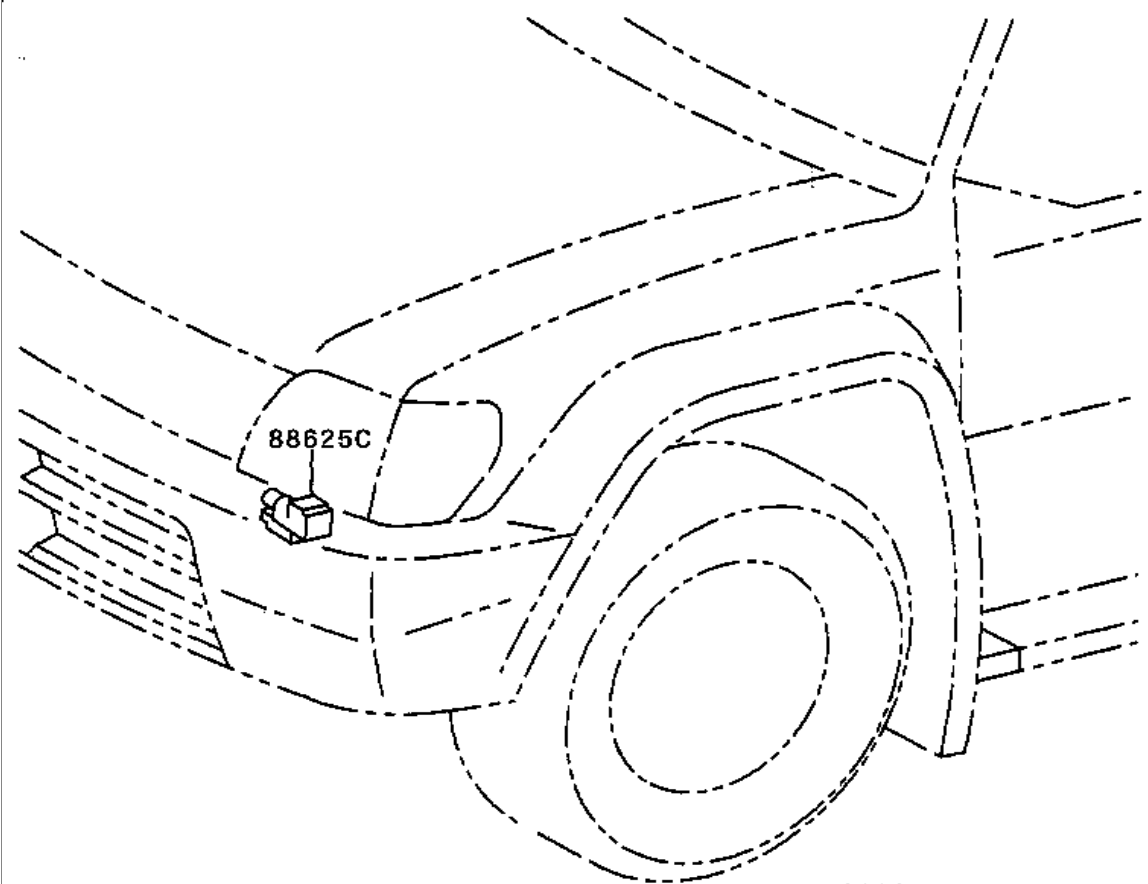


※1 (-9906)
※2 (9906-)

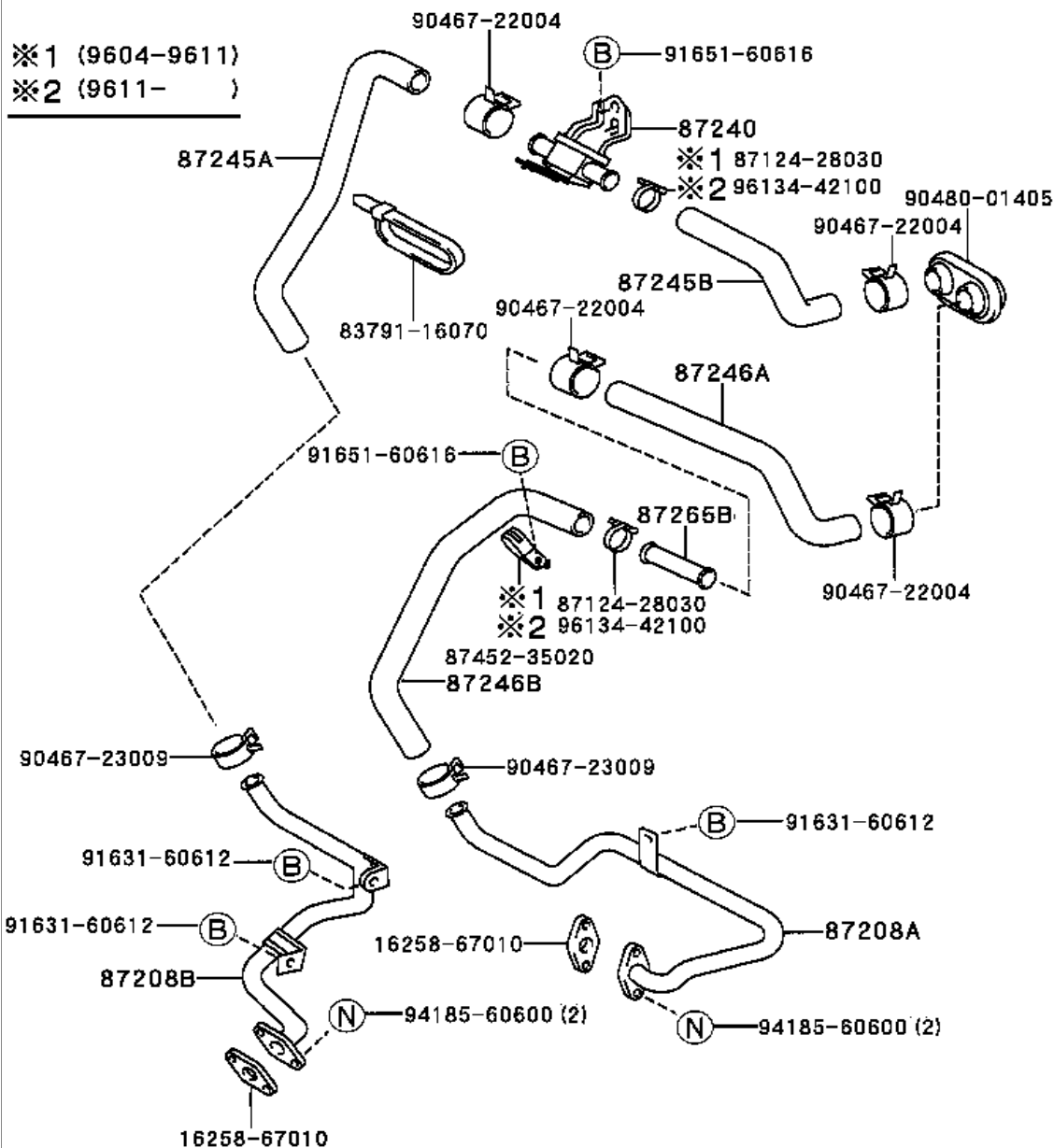








※1 (9604-9611)
※2 (9611-)



※1 90460-28001
※2 90467-23009

90467-22004

(B) 91651-60616

※1 (9604-9611)

※2 (9611-)

※1 87124-28030

※2 96134-42100 90480-01405

90467-22004

87245

87246A

90467-22004

※1 90460-28001

※2 90467-23009

87246B

(B) 91651-60616

87265B
(NO. 1)

※1 87124-28030

※2 96134-42100

90467-22004

87265B
(NO. 2)

87265

87256E

※1 90460-28001

※2 90467-23009

90467-14029

90467-14029

90467-14029

87255A

90467-14029

91631-60612 (B)

91631-60612 (B)

87248

16258-67010

90179-06161

90179-06161

90467-14029

870060-B

※1 90460-28001

※2 90467-23009

87245B

91631-60612 (B)

90467-23009

(B)

87208A

16258-67010 (e)

94185-60600 (2) (N)

96135-51400

87256A

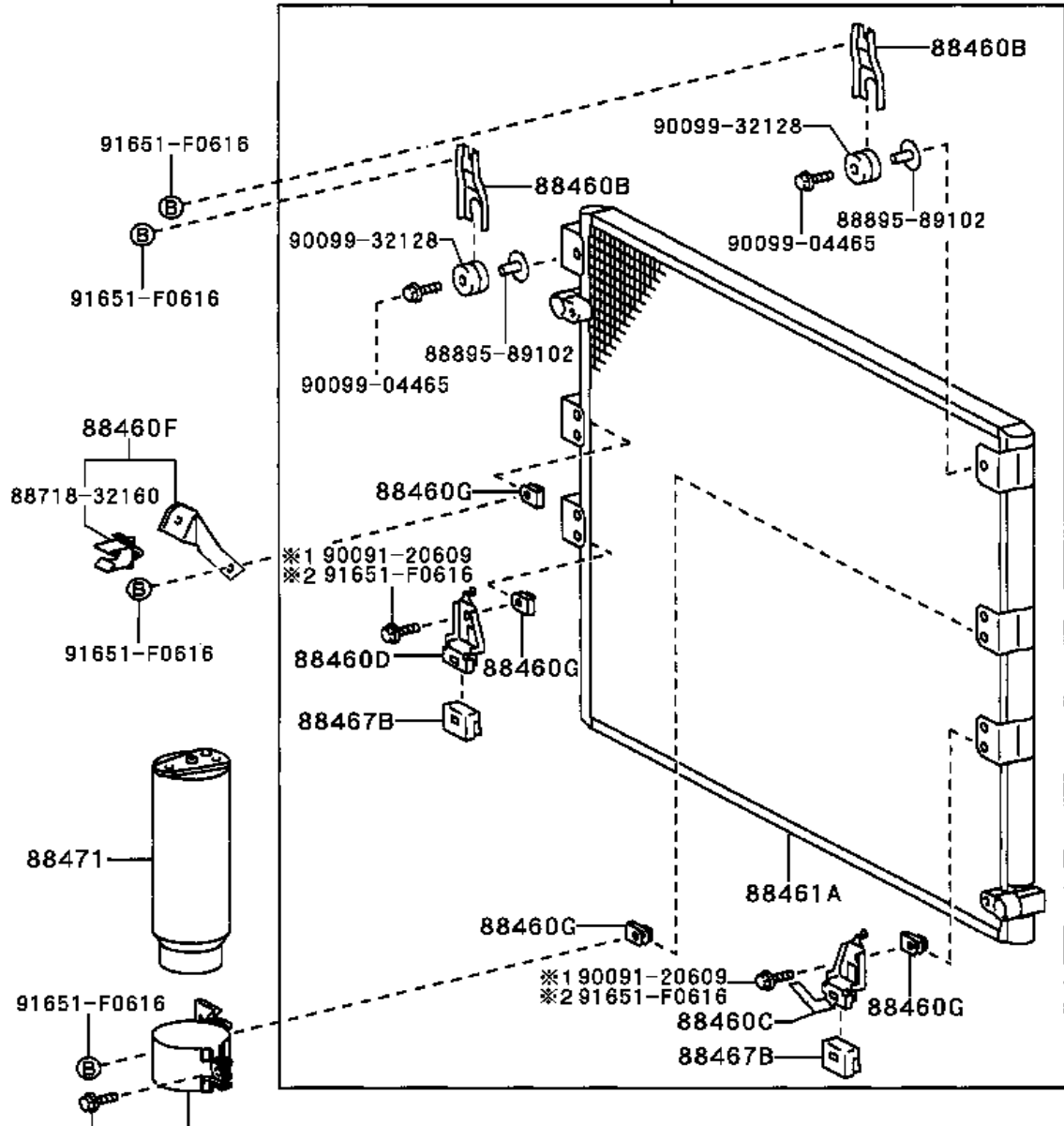
90467-14029

96135-51400

87255E

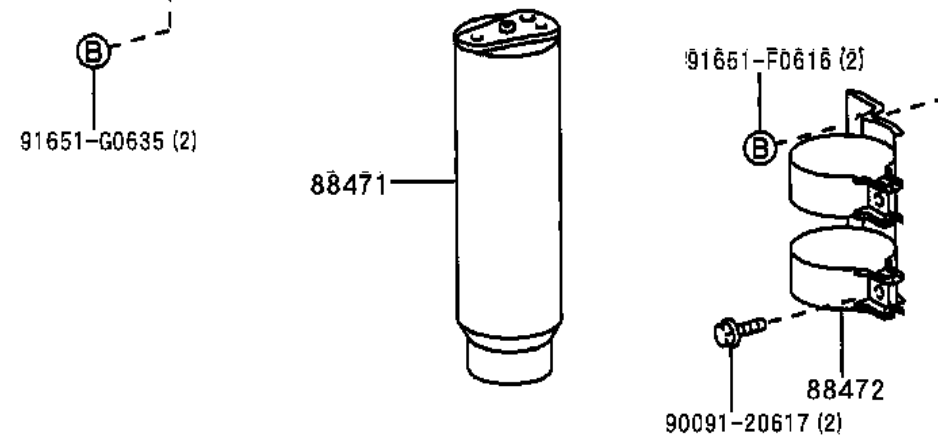
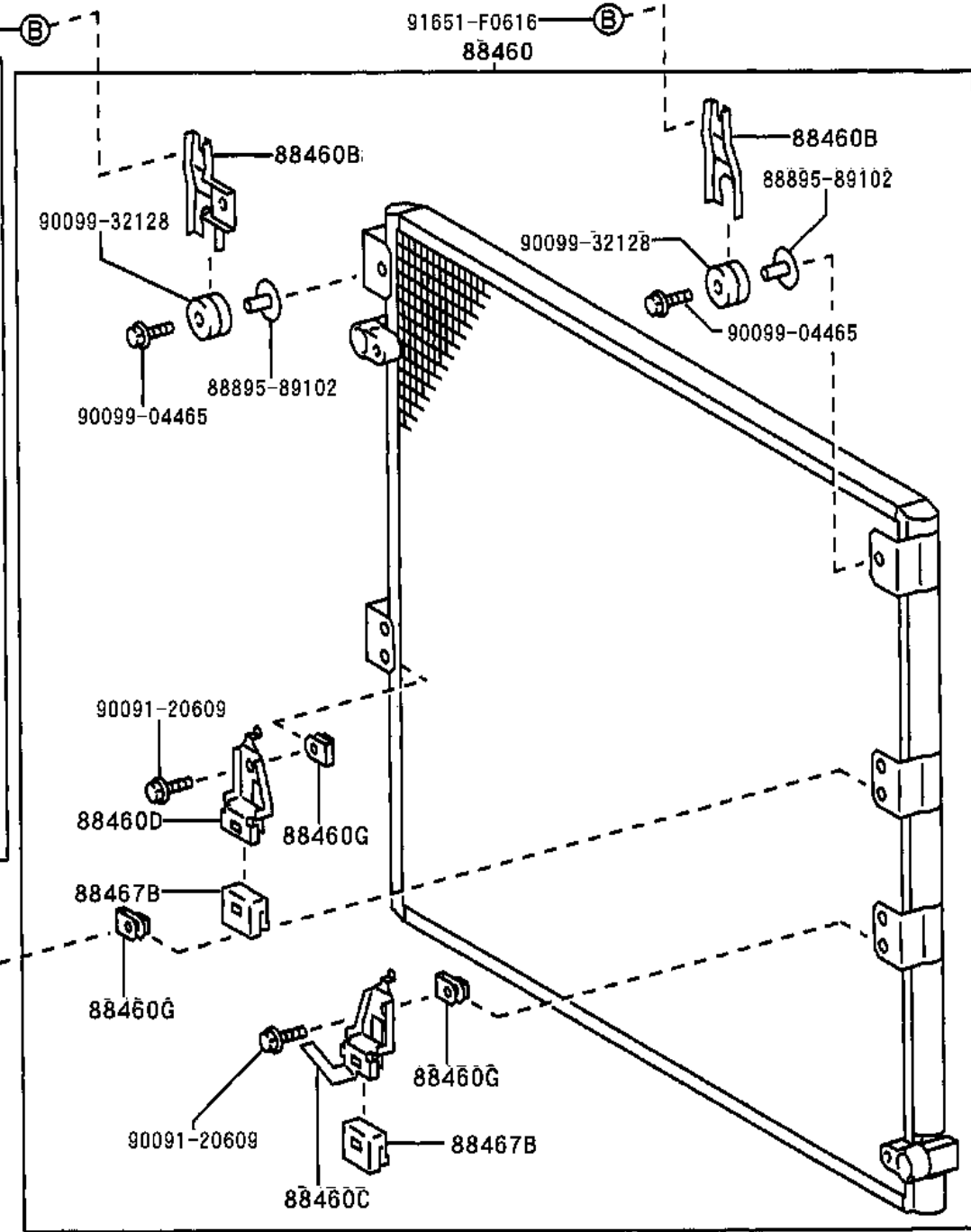
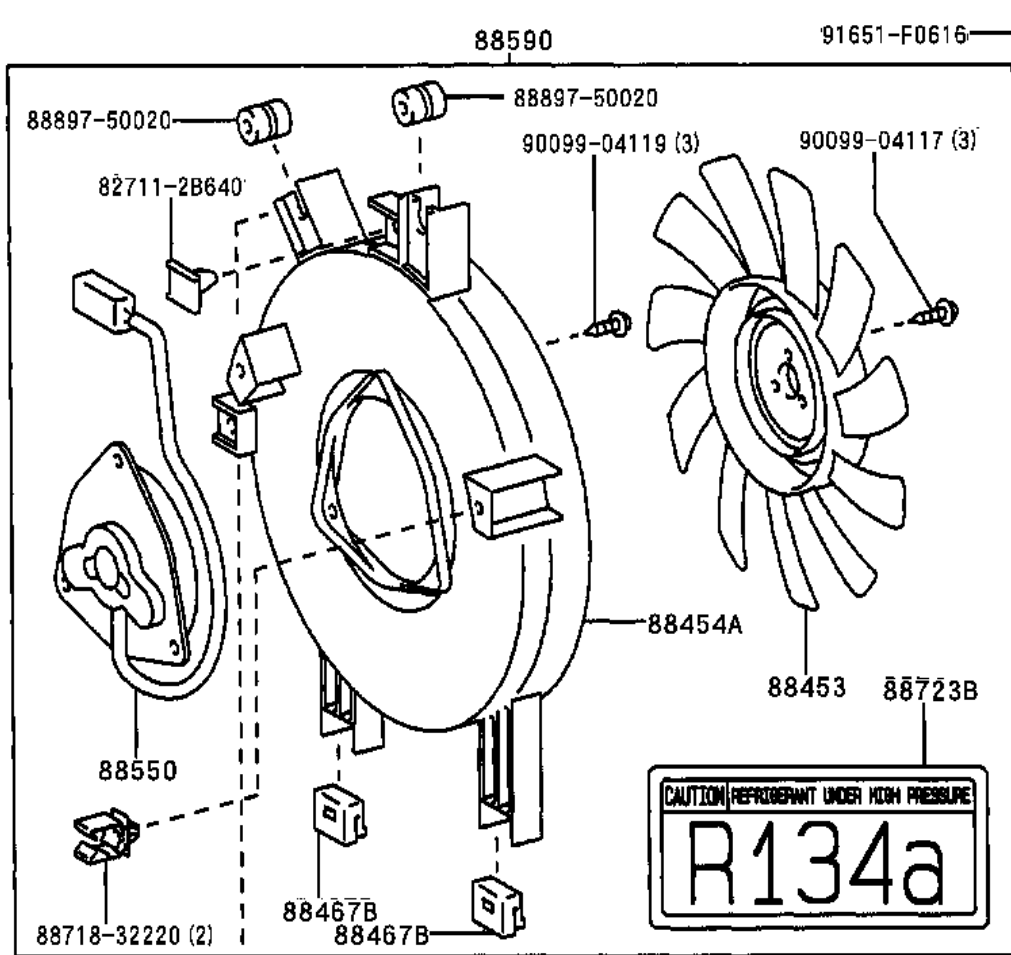
90467-14029

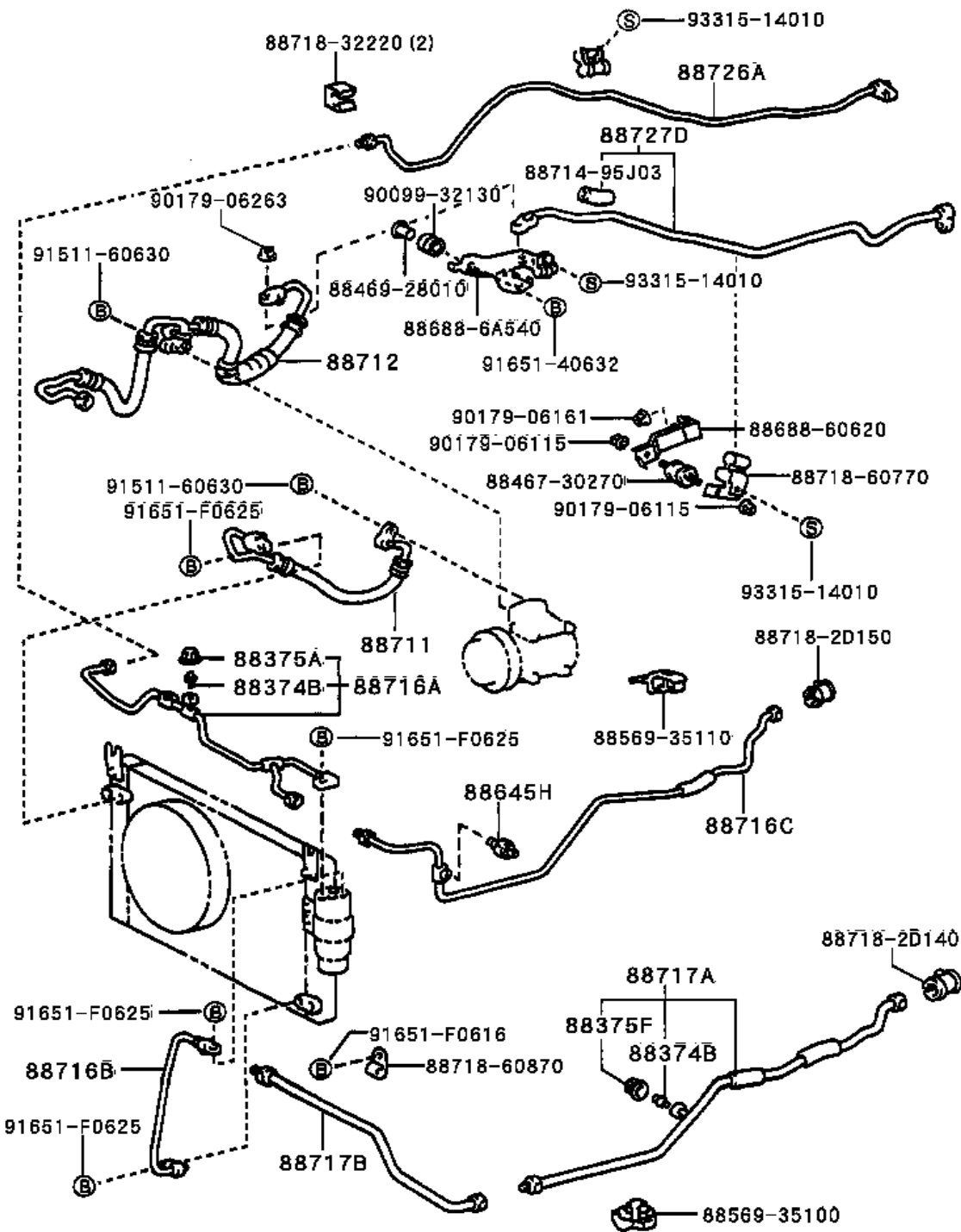
88460

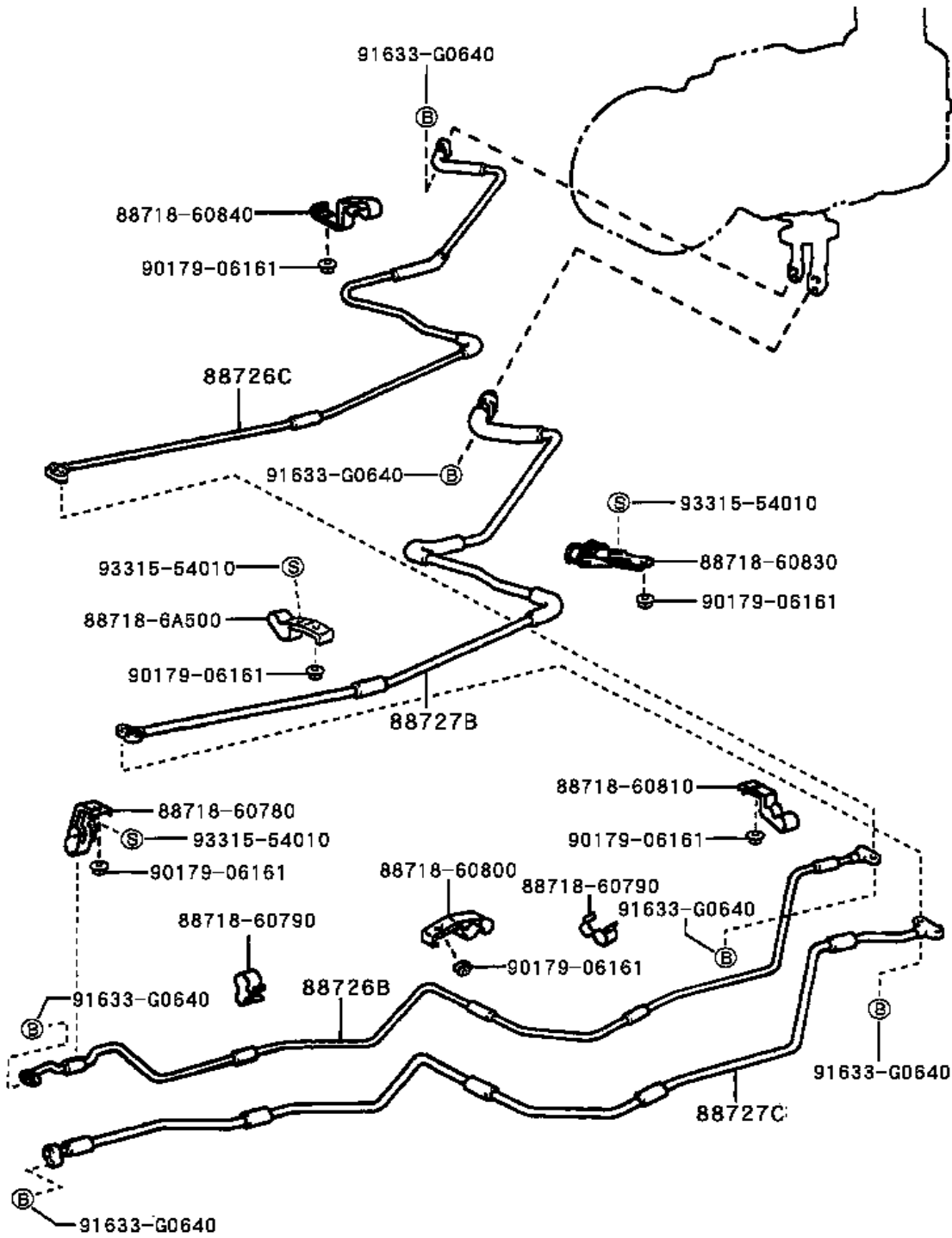


※1 90091-20617
 ※2 91651-F0616

※1 MAKER OPTION
 ※2 DEALER OPTION

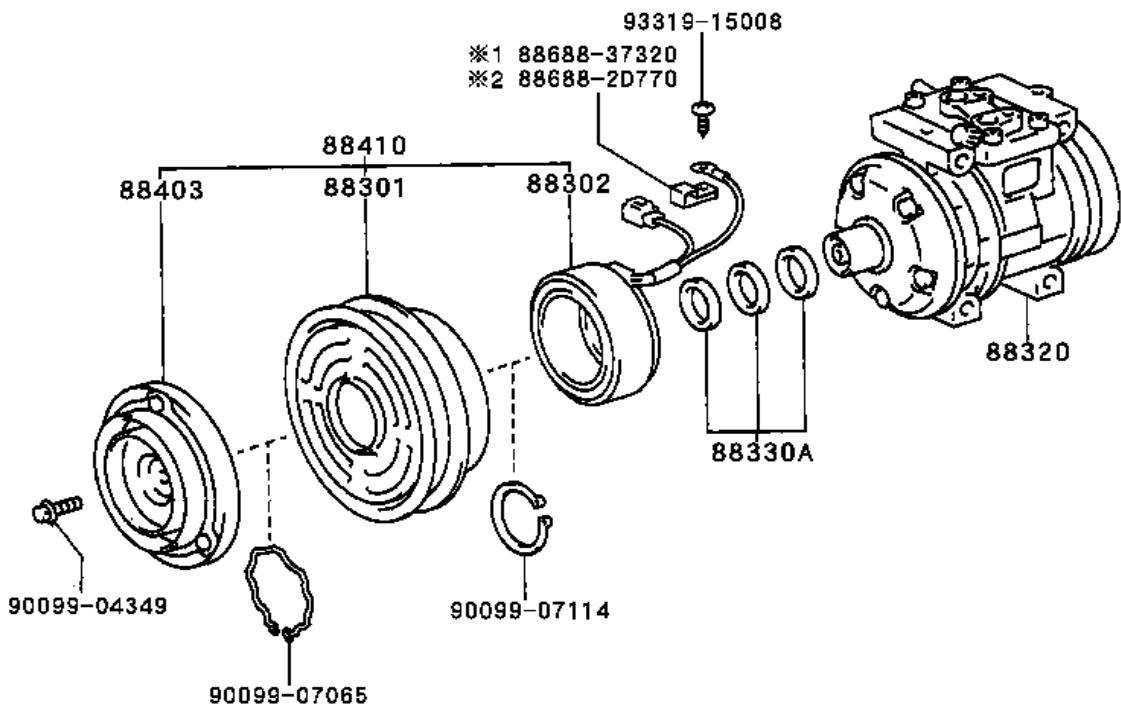






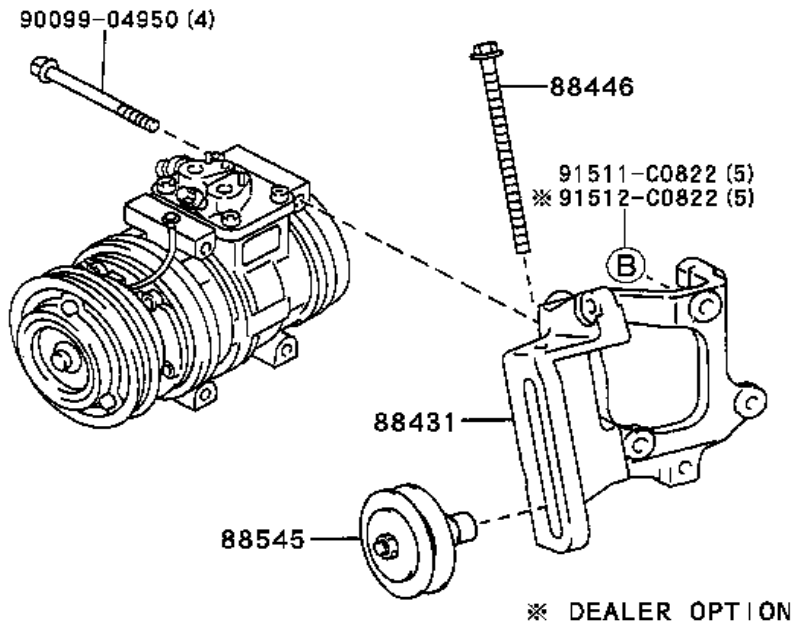
R134 (黒)
R134 (BLACK)

SIZE	品番 PART NO.	SIZE (mm)	
		ID	OD
1/2"	90099-14120	10.8	15.6
φ8	90099-14119	6.7	10.3
5/8"	90099-14121	13.4	18.2
M11	90099-14122	10.6	14.16

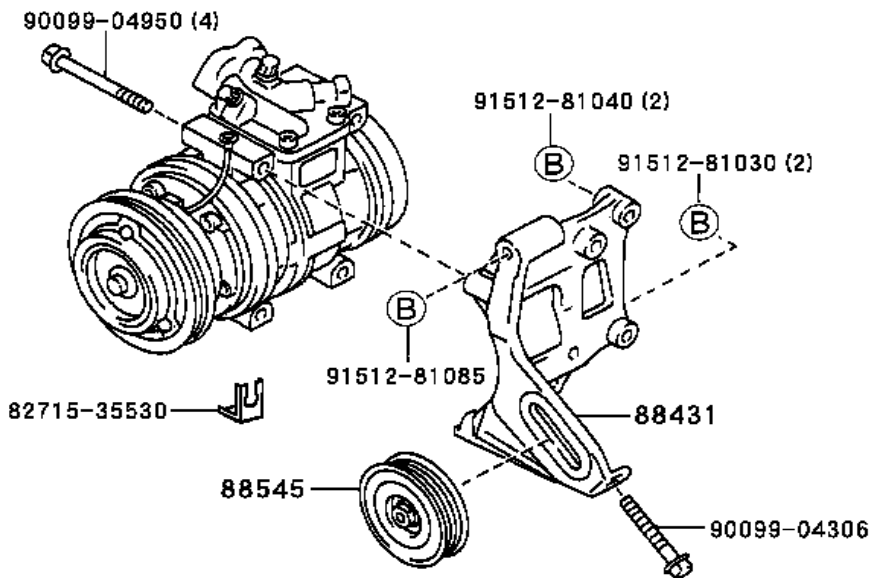


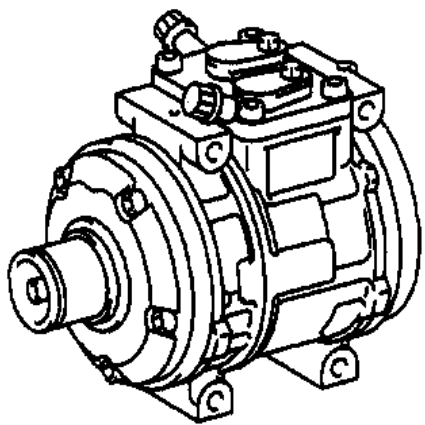
※1 VZJ9#
 ※2 KZJ9#

KZJ9#

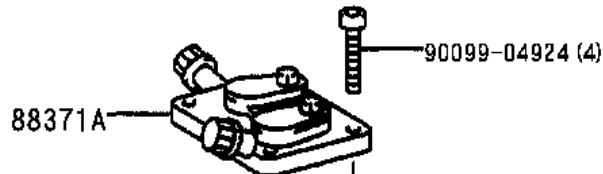
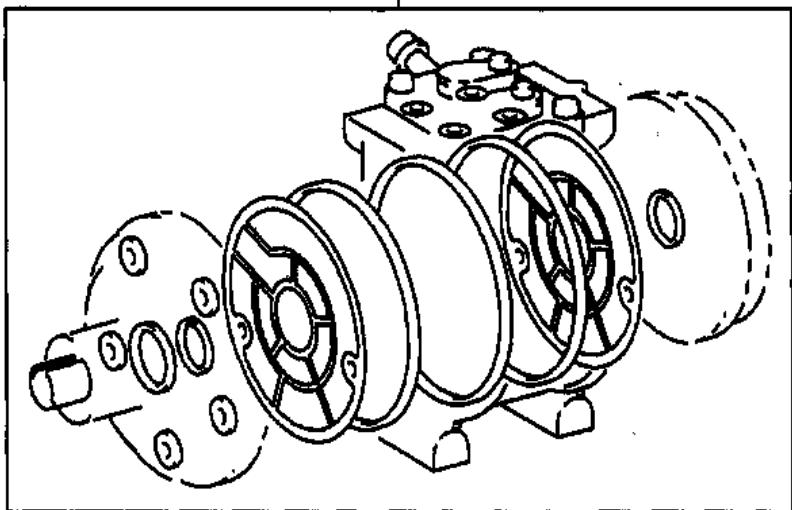


VZJ9#





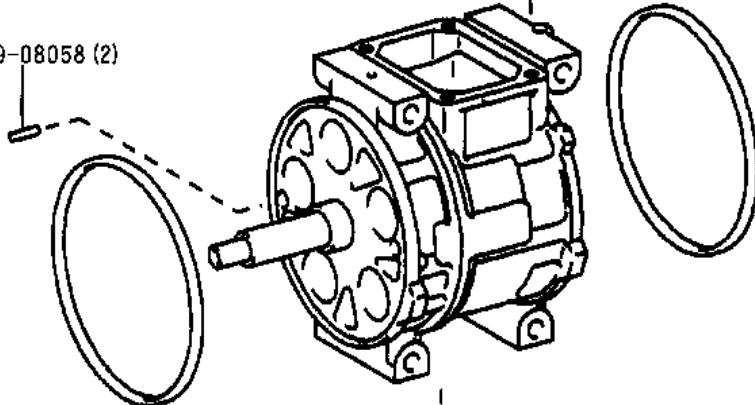
88335



88371A

90099-04924 (4)

90099-08058 (2)

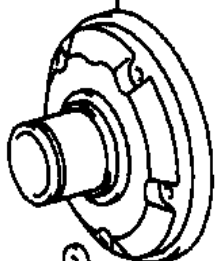


88321 (REAR)

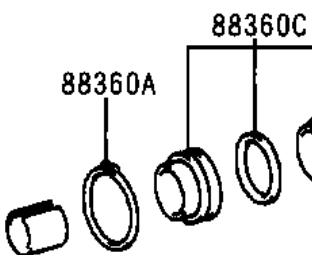


90099-08058 (2)

88321 (FRONT)



90099-04958 (5)



88360A

88360C



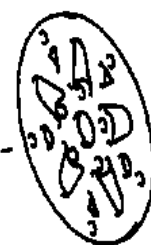
88344C



88321A (FRONT)



88343B



88343B



88321A (REAR)



88344C